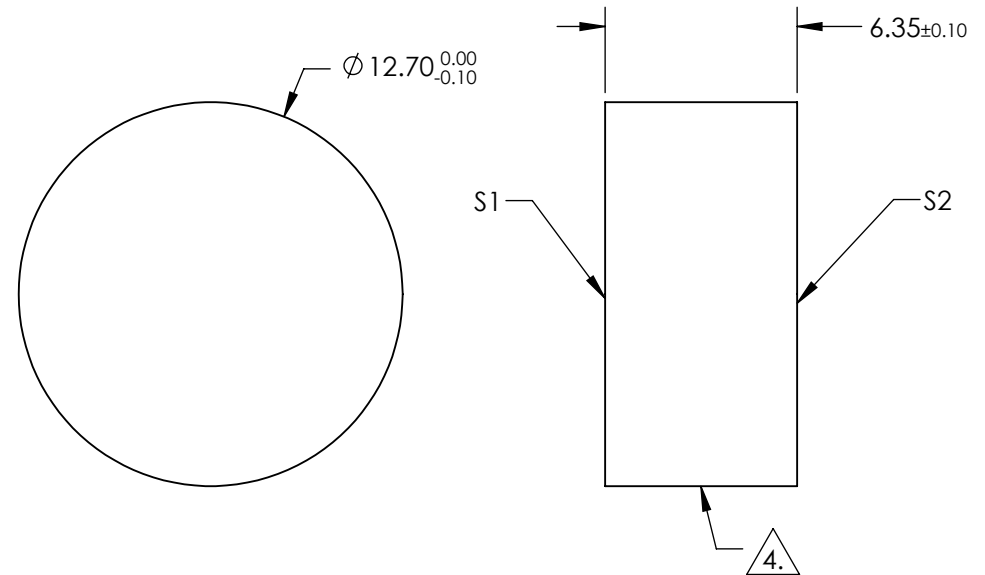
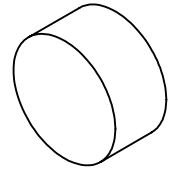


NOTES:

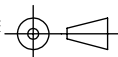
1. SUBSTRATE:
FUSED SILICA
2. SURFACE S2 TO BE PARALLEL TO SURFACE S1 TO WITHIN <3 ARCmin
3. COATING (APPLY ACROSS CLEAR APERTURE)
S1: R(abs) S & P > 99.80% @ 800nm @ 0-45° AOI
- S2: NONE
4. FINE GRIND SURFACE
5. POWER, IRREGULARITY, AND SURFACE QUALITY SPECIFICATIONS APPLY
ACROSS CLEAR APERTURE
6. CLEAR APERTURE AND COATING APERTURE ARE CENTERED ON SURFACES




**FOR INFORMATION ONLY:
DO NOT MANUFACTURE
PARTS TO THIS DRAWING**

SPECIFICATIONS SUBJECT TO CHANGE WITHOUT NOTICE
DIMENSIONS ARE FOR REFERENCE ONLY

	S1	S2
SHAPE	PLANO	PLANO
SURFACE QUALITY	10 - 5	COMMERCIAL POLISH
SURFACE FLATNESS	$\lambda/10$	N/A
CLEAR APERTURE	$\phi 11.43$	N/A
COATING APERTURE	$\phi 11.43$	N/A
BEVEL	PROTECTED AS NEEDED	PROTECTED AS NEEDED

THIRD ANGLE PROJECTION 

ALL DIMS IN mm

 **Edmund Optics®**

TITLE: 12.7mm Dia., 6.35mm Thick, Fused Silica
800nm Ti:Sapphire Mirror, 0-45 Deg AOI

DWG NO: 28992

SHEET 51 OF 86