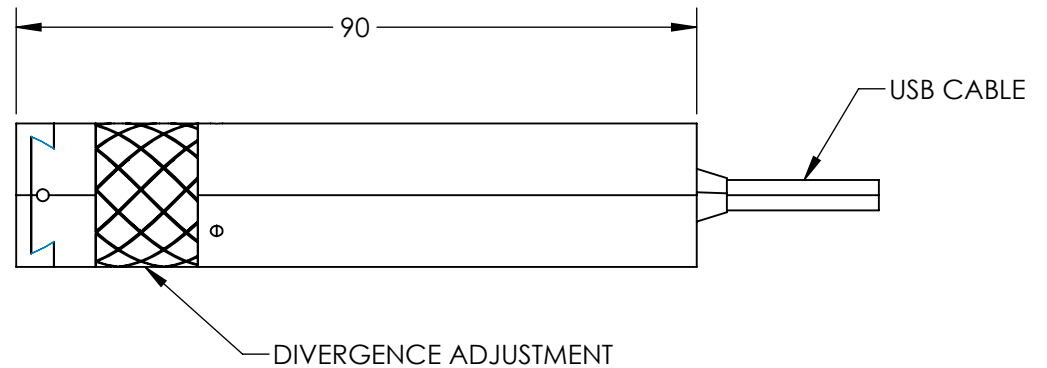
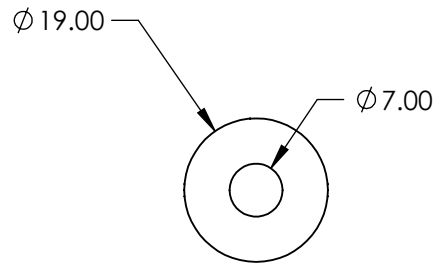
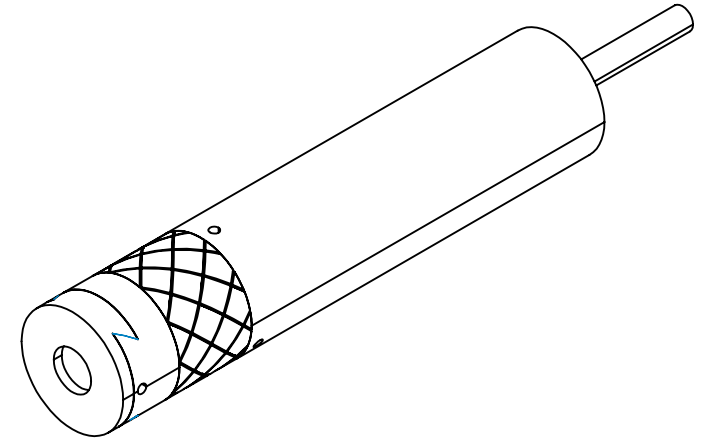


NOTES:

1. LASER CLASS: IIIb
2. BEAM DIAMETER: 4.5 (typical)  
BEAM DIVERGENCE: <0.5mrad, adjustable
3. MODULATION FREQUENCY: 0.1 - 50 kHz
4. OPERATING TEMPERATURE: +10 to +40°C  
OPERATING VOLTAGE: 5V (USB POWERED)
5. OUTPUT POWER: 50mW
6. WAVELENGTH: 450 ±5nm



SPECIFICATIONS SUBJECT TO CHANGE WITHOUT NOTICE  
DIMENSIONS ARE FOR REFERENCE ONLY

**FOR INFORMATION ONLY:  
DO NOT MANUFACTURE  
PARTS TO THIS DRAWING**

**EO**® Edmund Optics®

THIRD ANGLE PROJECTION		TITLE	Laser USB 450nm 50mW	
ALL DIMS IN	mm	DWG NO	26935	SHEET 1 OF 1