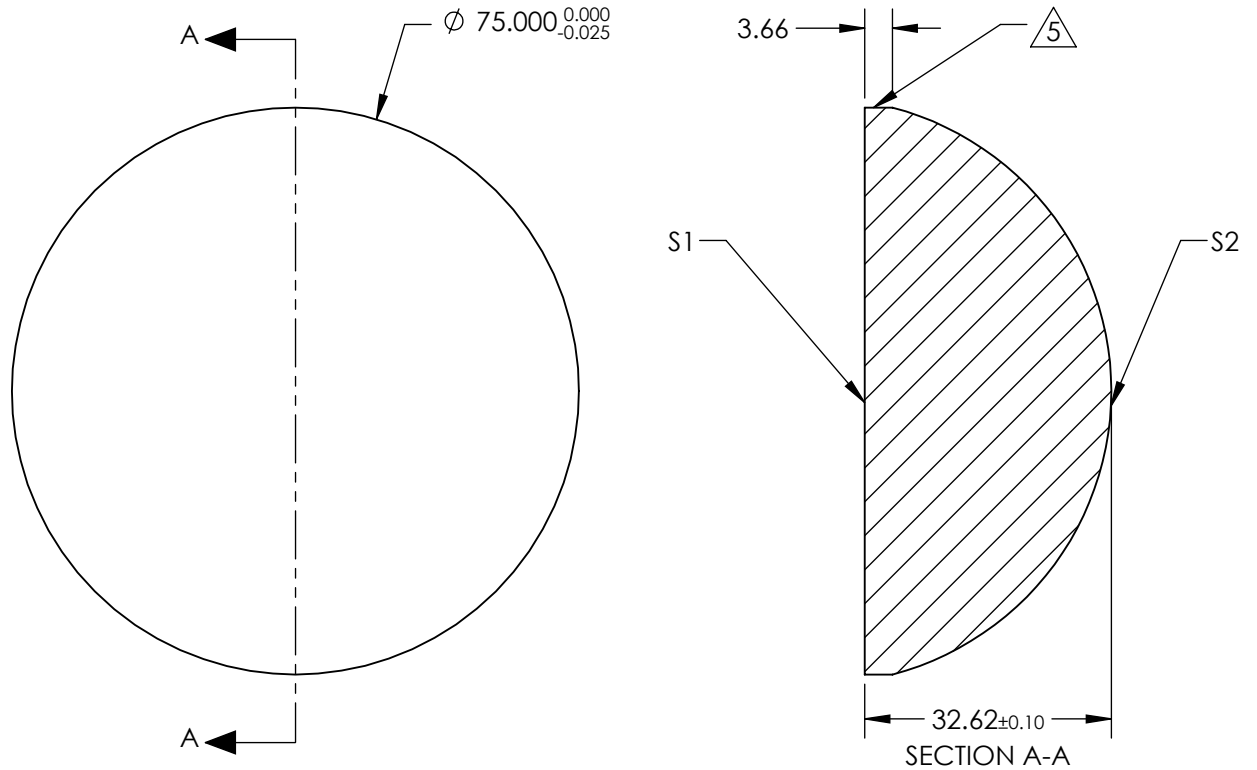


NOTES:

1. SUBSTRATE:
N-BK7
2. ROHS COMPLIANT
3. CENTERING TOLERANCE (AT 587.6nm):
BEAM DEVIATION (HALF ANGLE): <45 ARCMIN
4. COATING (APPLY ACROSS COATING APERTURE)
S1 & S2: VIS-EXT
R(AVG) ≤ 0.5% FROM 350-700nm @ 0° AOI
5. FINE GRIND SURFACE
6. POWER, IRREGULARITY, AND SURFACE QUALITY SPECIFICATIONS APPLY ACROSS CLEAR APERTURE
7. FOCAL LENGTH (EFL): 75mm ±1%
BACK FOCAL LENGTH (BFL): 53.49mm
8. PROTECTIVE BEVEL AS NEEDED
9. DESIGN WAVELENGTH: 587.6nm



**FOR INFORMATION ONLY:
DO NOT MANUFACTURE
PARTS TO THIS DRAWING**

SPECIFICATIONS SUBJECT TO CHANGE WITHOUT NOTICE
DIMENSIONS ARE FOR REFERENCE ONLY

	S1	S2
SHAPE	PLANO	CONVEX
RADIUS	INFINITY	38.76
SURFACE QUALITY	40-20	40-20
MIN CLEAR APERTURE	$\phi 73.50$	$\phi 73.50$
MIN COATING APERTURE	$\phi 73.50$	$\phi 73.50$
POWER AT 632.8nm	1.5λ	1.5λ
IRREGULARITY AT 632.8nm	$\lambda/4$	$\lambda/4$

THIRD ANGLE PROJECTION

ALL DIMS IN

mm

Edmund Optics®

TITLE

75.0mm Dia. x 75.0mm FL, VIS-EXT Coated,
Plano-Convex Lens

DWG NO

26109

SHEET
1 OF 1