

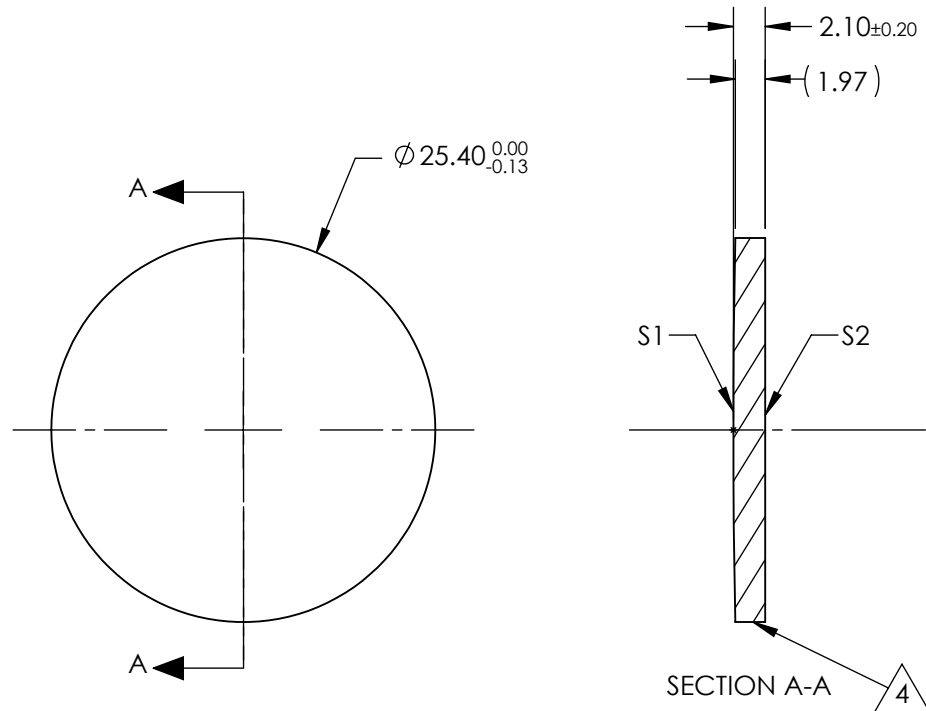
NOTES:

1. SUBSTRATE:
Silicon (Si)
2. CENTERING TOLERANCE:
<3 ARCMIN
3. COATING (APPLY ACROSS CLEAR APERTURE)
S1 & S2: R(AVG) <0.5% @ 3 - 5µm
R(ABS) <1.5% @ 3 - 5µm

4. FINE GRIND SURFACE

5. FOCAL LENGTH TOLERANCE: ±2%

6. ROHS COMPLIANT



**FOR INFORMATION ONLY:
DO NOT MANUFACTURE
PARTS TO THIS DRAWING**

SPECIFICATIONS SUBJECT TO CHANGE WITHOUT NOTICE
DIMENSIONS ARE FOR REFERENCE ONLY

	S1	S2	EFL @ 4µm	250.0	 Edmund Optics®	
SHAPE	CONVEX	PLANO	BFL @ 4µm	250.12		
RADIUS	608.1	INFINITY			TITLE	25.4mm Dia. x 25.4mm FL, 3-5µm BBAR Coated, ISP Optics Silicon (Si) PCX Lens
IRREGULARITY AT 632.8nm	1λ	1λ			ALL DIMS IN	mm
SURFACE QUALITY	80-50	80-50				SHEET 1 OF 1
CLEAR APERTURE	ø22.86	ø22.86				
BEVEL	PROTECTED AS NEEDED	PROTECTED AS NEEDED				