

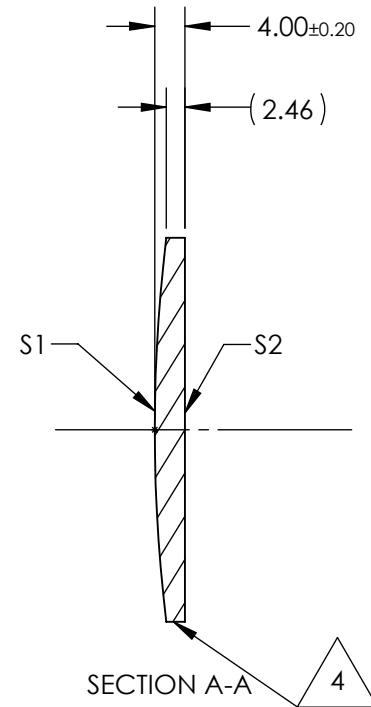
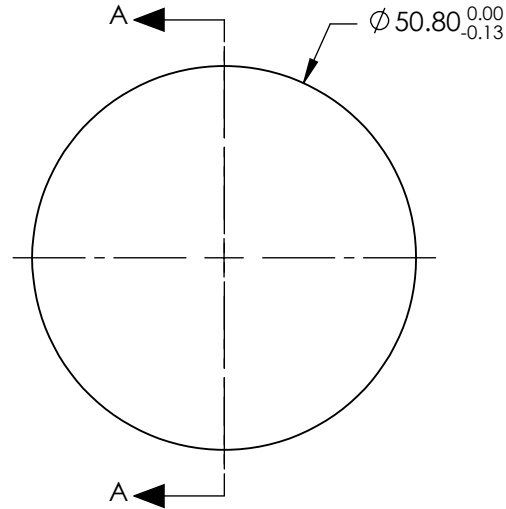
NOTES:

1. SUBSTRATE:
Zinc Selenide (ZnSe), CVD Grade
2. CENTERING TOLERANCE:
<3 ARCMIN
3. COATING (APPLY ACROSS CLEAR APERTURE)
S1 & S2: R(AVG) <0.5% @ 8 - 12µm
R(ABS) <1% @ 8 - 12µm

4. FINE GRIND SURFACE

5. FOCAL LENGTH TOLERANCE: ±2%

6. ROHS COMPLIANT



**FOR INFORMATION ONLY:
DO NOT MANUFACTURE
PARTS TO THIS DRAWING**

SPECIFICATIONS SUBJECT TO CHANGE WITHOUT NOTICE
DIMENSIONS ARE FOR REFERENCE ONLY

	S1	S2	EFL @ 10.6µm	150.0	 Edmund Optics®	
SHAPE	CONVEX	PLANO	BFL @ 10.6µm	147.99		
RADIUS	209.9	INFINITY			TITLE	50.8mm Dia. x 150mm FL, 8-12µm AR Coated, ISP Optics ZnSe Plano-Convex Lens
IRREGULARITY AT 10.6µm	λ/20	λ/20			DWG NO	25007
SURFACE QUALITY	60-40	60-40	ALL DIMS IN	mm		
CLEAR APERTURE	ø45.72	ø45.72				
BEVEL	PROTECTED AS NEEDED	PROTECTED AS NEEDED				