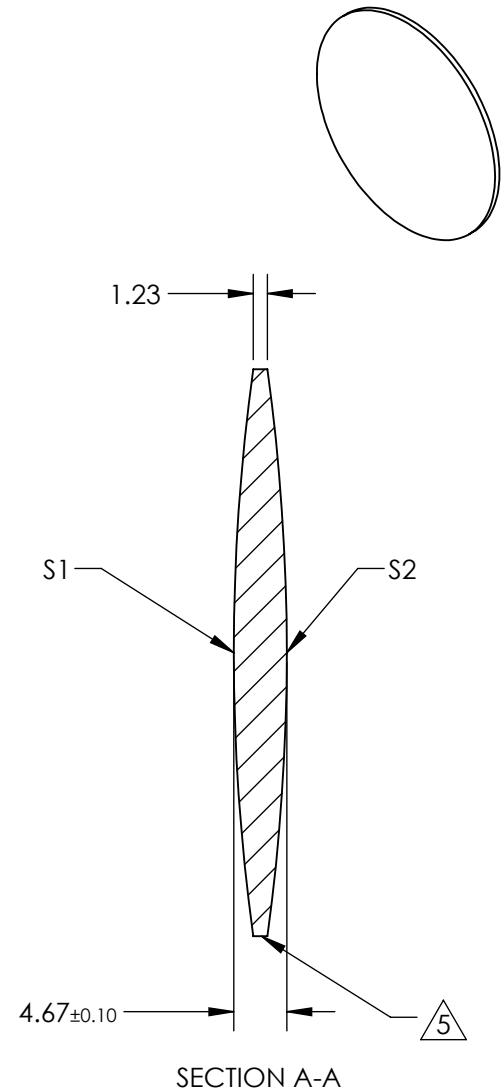
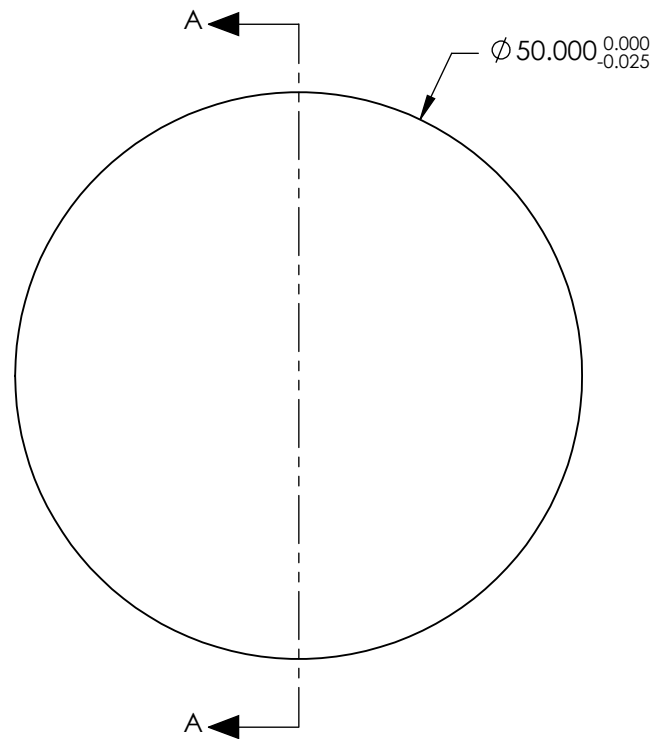


NOTES:

1. SUBSTRATE:  
Fused Silica 458/678
2. ROHS COMPLIANT
3. CENTERING TOLERANCE (AT 587.6nm):  
BEAM DEVIATION (HALF ANGLE): <1 ARCMIN
4. COATING (APPLY ACROSS COATING APERTURE)  
S1 & S2: NONE

5. FINE GRIND SURFACE

6. POWER, IRREGULARITY, AND SURFACE QUALITY SPECIFICATIONS APPLY ACROSS CLEAR APERTURE
7. FOCAL LENGTH (EFL): 200.00mm±1%  
BACK FOCAL LENGTH (BFL): 198.39mm
8. PROTECTIVE BEVEL AS NEEDED
9. DESIGN WAVELENGTH: 587.6nm



**FOR INFORMATION ONLY:  
DO NOT MANUFACTURE  
PARTS TO THIS DRAWING**

SPECIFICATIONS SUBJECT TO CHANGE WITHOUT NOTICE  
DIMENSIONS ARE FOR REFERENCE ONLY

|                         | S1         | S2         |
|-------------------------|------------|------------|
| SHAPE                   | CONVEX     | CONVEX     |
| RADIUS                  | 182.65     | 182.65     |
| SURFACE QUALITY         | 40-20      | 40-20      |
| MIN CLEAR APERTURE      | ∅ 49.00    | ∅ 49.00    |
| MIN COATING APERTURE    | N/A        | N/A        |
| POWER AT 632.8nm        | 3.00 RINGS | 3.00 RINGS |
| IRREGULARITY AT 632.8nm | 0.5 RINGS  | 0.5 RINGS  |

THIRD ANGLE PROJECTION

ALL DIMS IN

mm

**EO**® Edmund Optics®

TITLE

50mm Dia. x 200mm FL, Uncoated, UV  
Double-Convex Lens

DWG NO

22429

SHEET  
6 OF 6