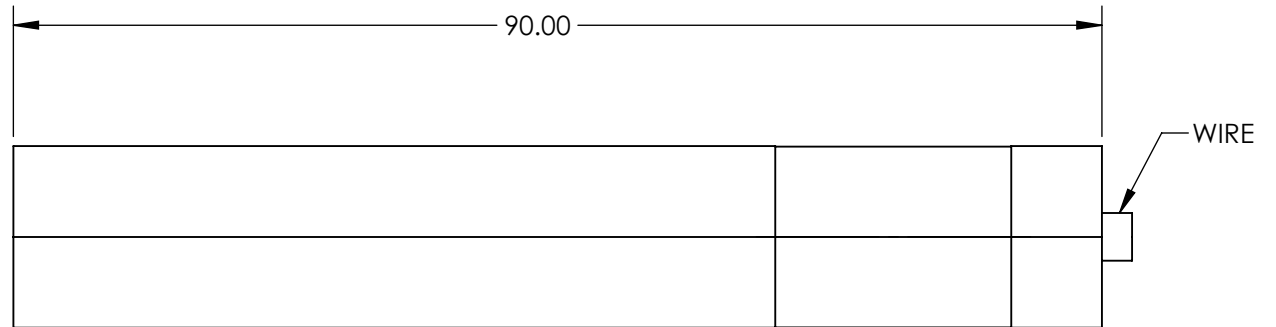
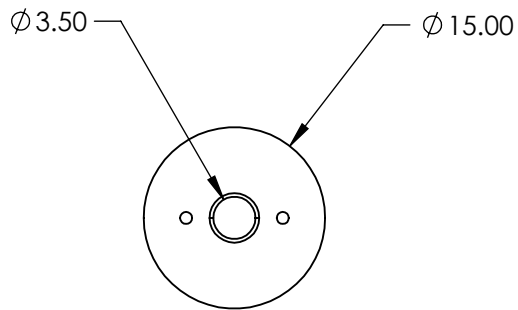
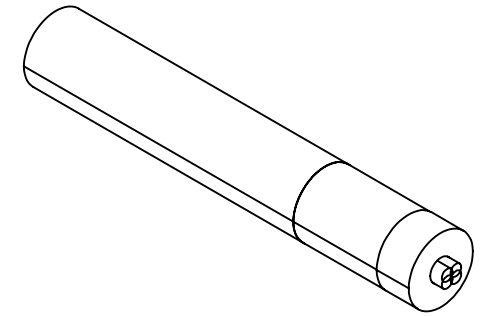


NOTES:

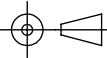
1. LASER CLASS: IIIb
2. BEAM DIAMETER(mm): 1.5 typical
BEAM DIVERGENCE(mrad): <1.5 Typical
3. OPERATING TEMPERATURE: 15 to 35°C
OPERATING VOLTAGE: 3 V
4. OUTPUT POWER: 25 mW
5. WAVELENGTH RANGE: 532 ±1nm



SPECIFICATIONS SUBJECT TO CHANGE WITHOUT NOTICE
DIMENSIONS ARE FOR REFERENCE ONLY

**FOR INFORMATION ONLY:
DO NOT MANUFACTURE
PARTS TO THIS DRAWING**

EO® Edmund Optics®

THIRD ANGLE PROJECTION 		TITLE	25mW, 532nm DPSS Pointing Laser	
ALL DIMS IN	mm	DWG NO	19470	SHEET 1 OF 1