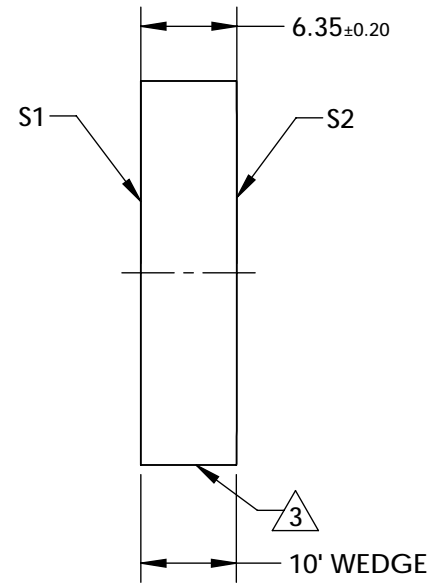
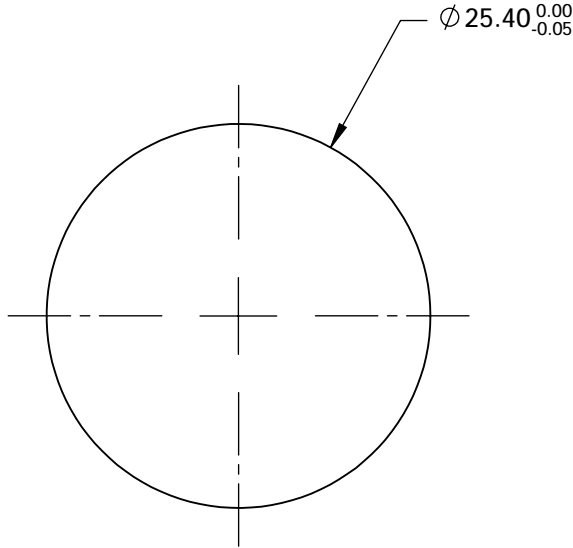


NOTES:

1. SUBSTRATE:  
FUSED SILICA
2. COATING (APPLY ACROSS COATING APERTURE)  
S1: R(AVG) >99% @ 2800 - 3600NM (5° AOI, P-POLARIZATION)  
GOD: 500FS<sup>2</sup> @ 2800 - 3600NM (5° AOI, P-POLARIZATION)

3. FINE GRIND SURFACE
4. ROHS COMPLIANT



**FOR INFORMATION ONLY:  
DO NOT MANUFACTURE  
PARTS TO THIS DRAWING**

SPECIFICATIONS SUBJECT TO CHANGE WITHOUT NOTICE  
DIMENSIONS ARE FOR REFERENCE ONLY

	S1	S2
SHAPE	PLANO	PLANO
IRREGULARITY AT 632.8nm	$\lambda/10$	N/A
CLEAR APERTURE	$\phi 20.32$	N/A
BEVEL	PROTECTED AS NEEDED	PROTECTED AS NEEDED



ALL DIMS IN

mm

**EO**® Edmund Optics®

TITLE

25.4MM DIA., 3200NM HIGHLY POSITIVE  
DISPERSIVE ULTRAFAST MIRROR

DWG NO

17063

SHEET  
1 OF 1