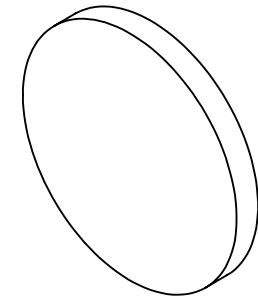


NOTES:

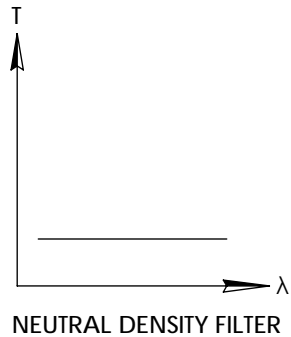
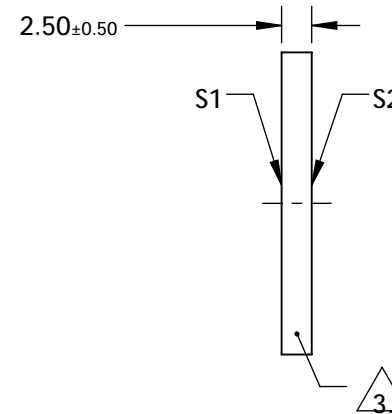
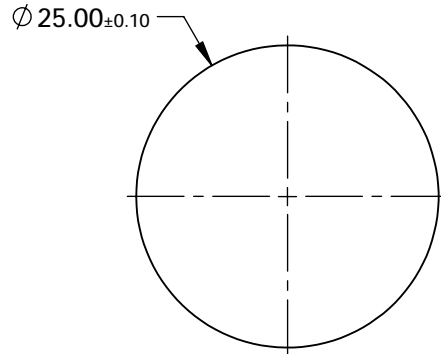
1. SUBSTRATE:
HOYA GLASS: ND-13
2. SURFACE S2 TO BE PARALLEL WITH SURFACE S1 TO WITHIN <0.02 mm

FOR INFORMATION ONLY:
DO NOT MANUFACTURE
PARTS TO THIS DRAWING



FINE GRIND SURFACE

4. COATING SPECIFICATION:
S1 & S2:R(AVG) $\leq 0.4\%$ @ 425 - 675nm
5. OPTICAL DENSITY: 0.9 +/-0.1 @400-700nm
6. TRANSMISSION (%): 12.5% AVERAGE FROM 400-700nm
7. ROHS COMPLIANT



SPECIFICATIONS SUBJECT TO CHANGE WITHOUT NOTICE
DIMENSIONS ARE FOR REFERENCE ONLY

Edmund Optics®

	S1	S2				
SHAPE	PLANO	PLANO	THIRD ANGLE PROJECTION	TITLE	0.9 OD, 25mm DIA., VIS 0° COATED, ABSORPTIVE ND FILTER	
SURFACE QUALITY	80-50	80-50		DWG NO	13103	SHEET 1 OF 1
BEVEL	PROTECTIVE AS NEEDED	PROTECTIVE AS NEEDED	ALL DIMS IN	mm		