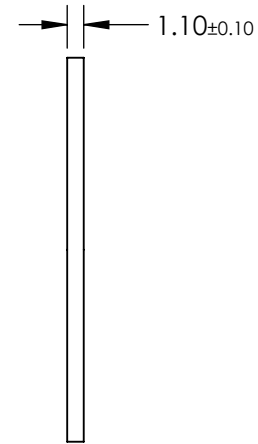
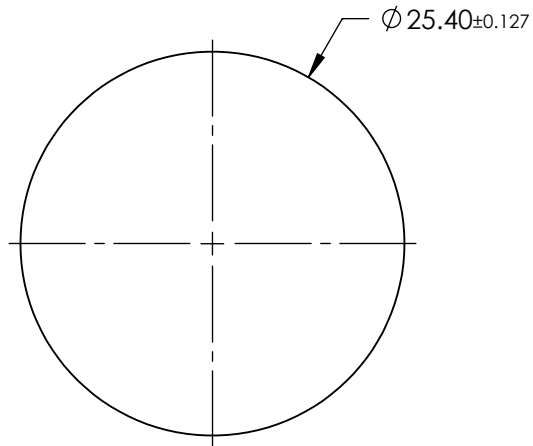
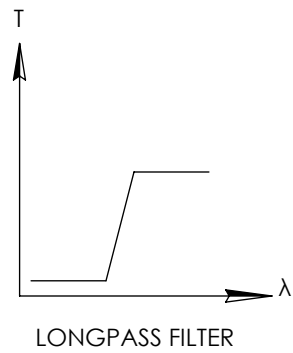


**FOR INFORMATION ONLY:  
DO NOT MANUFACTURE  
PARTS TO THIS DRAWING**



	VALUE
SHAPE	PLANO
CUT-ON WAVELENGTH (nm)	665±6
TRANSMISSION WAVELENGTH (nm)	685 - 2500
TRANSMISSION (%)	>90 (TYPICAL)
REJECTION WAVELENGTH (nm)	200 - 630
SURFACE QUALITY	80-50
CLEAR APERTURE (%)	90
DURABILITY, PHYSICAL	MIL-C-48497
DURABILITY, ENVIRONMENTAL	MIL-STD-810, METHOD 507.3, PRCEDURE III, MODIFIED TO 40 CYCLES
BEVEL MAX FACE	PROTECTIVE AS NEEDED

SPECIFICATIONS SUBJECT TO CHANGE WITHOUT NOTICE  
DIMENSIONS ARE FOR REFERENCE ONLY

**EO**® **Edmund Optics**®



THIRD ANGLE  
PROJECTION

TITLE

665nm, 25.4mm DIA., COLORED GLASS  
REPLACEMENT LONGPASS FILTER

ALL DIMS IN

mm

DWG NO

15459

SHEET  
1 OF 1