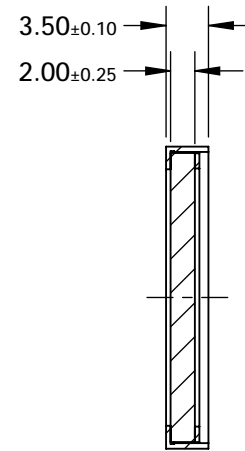
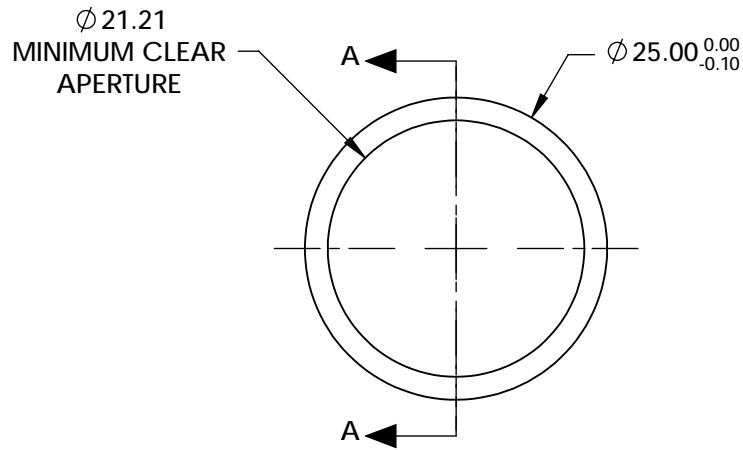


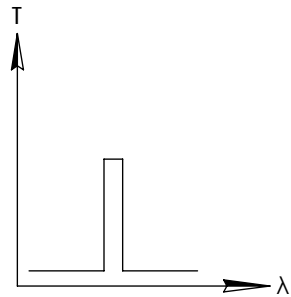
NOTES:

1. SUBSTRATE:
FUSED SILICA MOUNTED IN BLACK ANODIZED ALUMINUM RING
2. TRANSMITTED WAVEFRONT ERROR: $\lambda/4$
3. RoHS: COMPLIANT

**FOR INFORMATION ONLY:
DO NOT MANUFACTURE
PARTS TO THIS DRAWING**



SECTION A-A



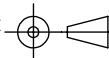
BANDPASS FILTER

	VALUE
CENTER WAVELENGTH (CWL) (nm)	586 ± 2
MINIMUM BANDWIDTH (nm)	20
FULL WIDTH HALF MAX (FWHM) (nm)	26
MINIMUM TRANSMISSION (%)	>93
OD6 BLOCKING RANGE (nm)	300 - 561 & 610 - 780
SURFACE QUALITY	60-40
COATING TYPE	HARD COATED
DURABILITY	MIL-C-48497A, SECT. 3.4.1
ENVIRONMENTAL	MIL-STD-801F, SECT. 507.4

SPECIFICATIONS SUBJECT TO CHANGE WITHOUT NOTICE
DIMENSIONS ARE FOR REFERENCE ONLY

EO® Edmund Optics®

THIRD ANGLE
PROJECTION



TITLE

OD6, $\phi 25$ mm, 586nm x 26nm, BP
FLUORESCENCE FILTER

ALL DIMS IN

mm

DWG NO

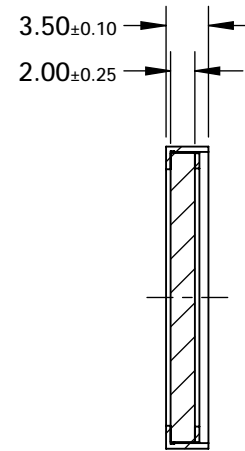
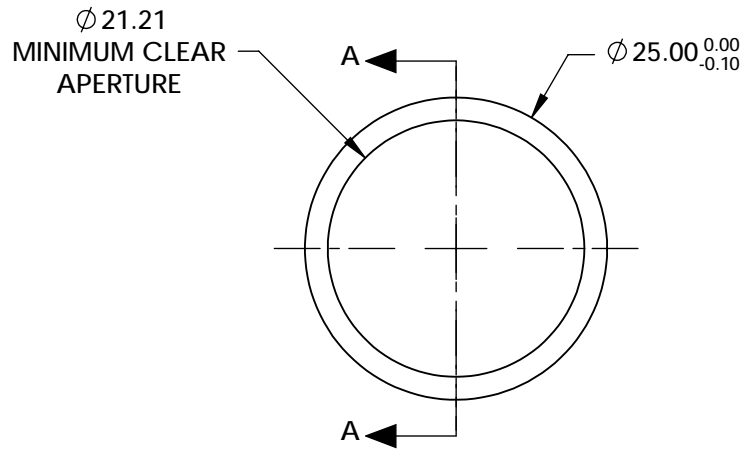
84101

SHEET
1 OF 1

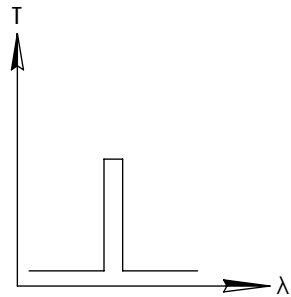
NOTES:

1. SUBSTRATE:
FUSED SILICA MOUNTED IN BLACK ANODIZED ALUMINUM RING
2. TRANSMITTED WAVEFRONT ERROR: $\lambda/4$
3. RoHS: COMPLIANT

**FOR INFORMATION ONLY:
DO NOT MANUFACTURE
PARTS TO THIS DRAWING**



SECTION A-A



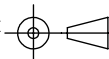
BANDPASS FILTER

	VALUE
CENTER WAVELENGTH (CWL) (nm)	628 ± 2
MINIMUM BANDWIDTH (nm)	32
FULL WIDTH HALF MAX (FWHM) (nm)	38
MINIMUM TRANSMISSION (%)	>93
OD6 BLOCKING RANGE (nm)	250 - 598 & 659 - 925
SURFACE QUALITY	60-40
COATING TYPE	HARD COATED
DURABILITY	MIL-C-48497A, SECT. 3.4.1
ENVIRONMENTAL	MIL-STD-801F, SECT. 507.4

SPECIFICATIONS SUBJECT TO CHANGE WITHOUT NOTICE
DIMENSIONS ARE FOR REFERENCE ONLY

EO® Edmund Optics®

THIRD ANGLE
PROJECTION



TITLE

OD6, $\phi 25$ mm, 628nm x 38nm, BP
FLUORESCENCE FILTER

ALL DIMS IN

mm

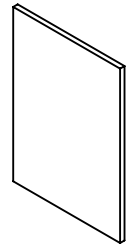
DWG NO

84103

SHEET
1 OF 1

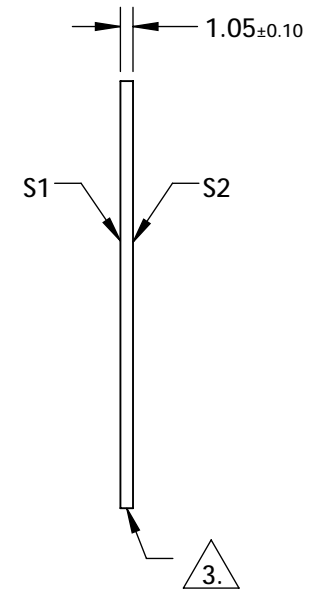
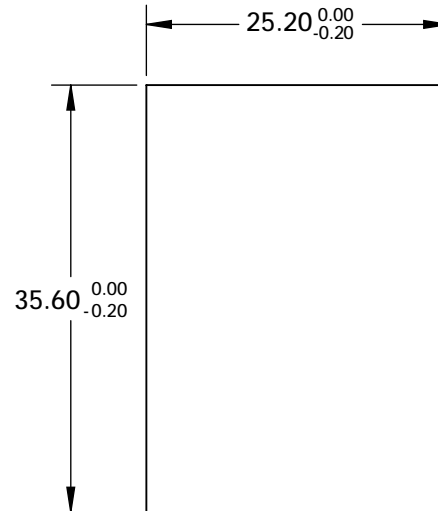
NOTES:

1. SUBSTRATE
UV GRADE FUSED SILICA
2. COATING (APPLY ACROSS CLEAR APERTURE)
HARD COATED
PERFORMANCE SPECS:
T(AVG) = 90% FROM 612 - 950nm @ 45 ° AOI
R(AVG) = 98% FROM 350 - 596nm @ 45 ° AOI
T(ABS) = 50% @ 605nm @ 45 ° AOI



3. FINE GRIND SURFACE

4. SURFACE QUALITY SPECIFICATIONS APPLY ACROSS CLEAR APERTURE
5. TRANSMITTED WAVEFRONT DISTORTION RMS @ 632.8nm $\leq 1\lambda$
6. ROHS COMPLIANT

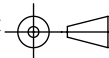


**FOR INFORMATION ONLY:
DO NOT MANUFACTURE
PARTS TO THIS DRAWING**

SPECIFICATIONS SUBJECT TO CHANGE WITHOUT NOTICE
DIMENSIONS ARE FOR REFERENCE ONLY

	S1	S2
SHAPE	PLANO	PLANO
SURFACE QUALITY	60-40	60-40
CLEAR APERTURE	22.00 x 32.00	22.00 x 32.00
BEVEL	PROTECTIVE AS NEEDED	PROTECTIVE AS NEEDED

THIRD ANGLE
PROJECTION



ALL DIMS IN

mm

EO® Edmund Optics®

TITLE

605nm, 25.2 X 35.6mm, DICHOIC FILTER

DWG NO

86335

SHEET
1 OF 1