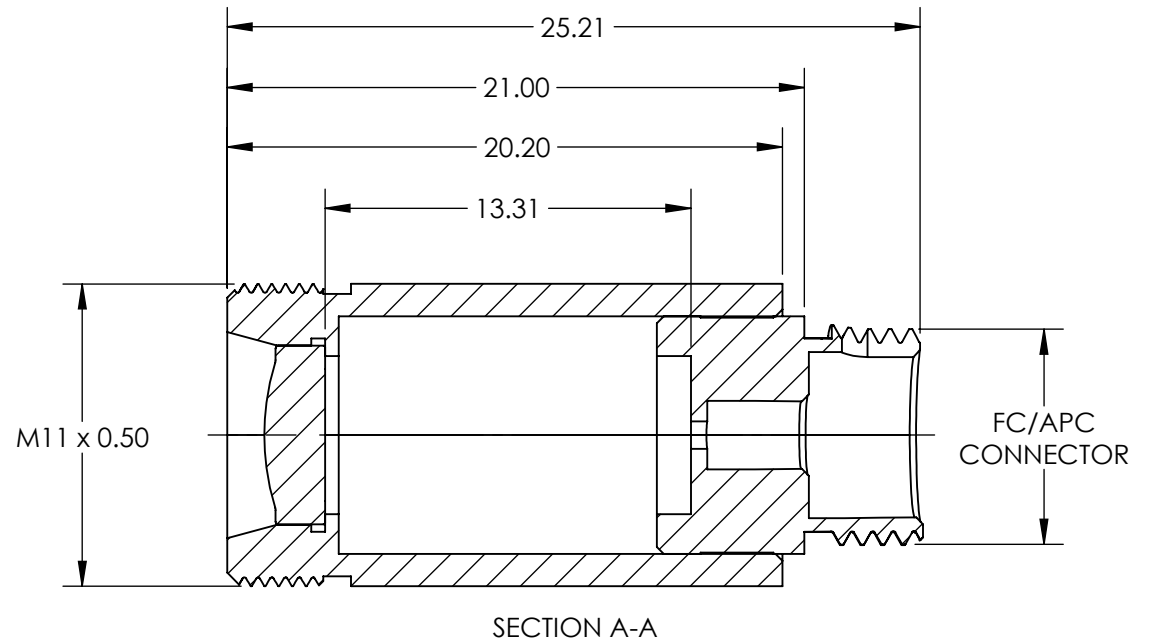
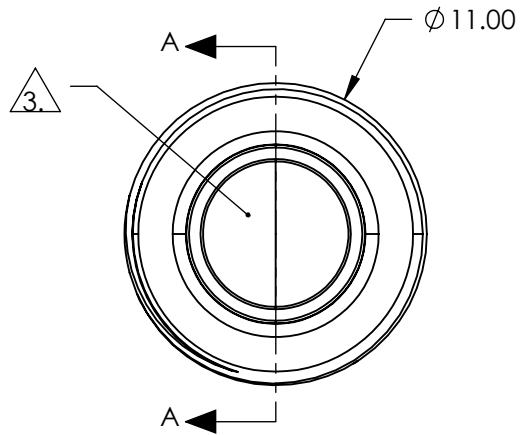
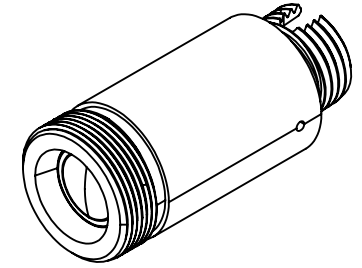


NOTES:

1. MATERIAL:
HOUSING: STAINLESS STEEL
LENS: D-ZK3
2. COATING (APPLY ACROSS COATING APERTURE)
BBAR (350-700nm)
Ravg <0.5% @ 350 - 700nm

3. CLEAR APERTURE: 5.38 mm

4. RoHS: COMPLIANT



SPECIFICATIONS SUBJECT TO CHANGE WITHOUT NOTICE
DIMENSIONS ARE FOR REFERENCE ONLY

**FOR INFORMATION ONLY:
DO NOT MANUFACTURE
PARTS TO THIS DRAWING**

EO® Edmund Optics®

THIRD ANGLE PROJECTION		TITLE	543nm Alignment, 0.16 NA Fiber Collimator w/ FC/APC Connector	
ALL DIMS IN	mm	DWG NO	13555	SHEET 1 OF 1