
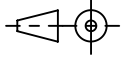
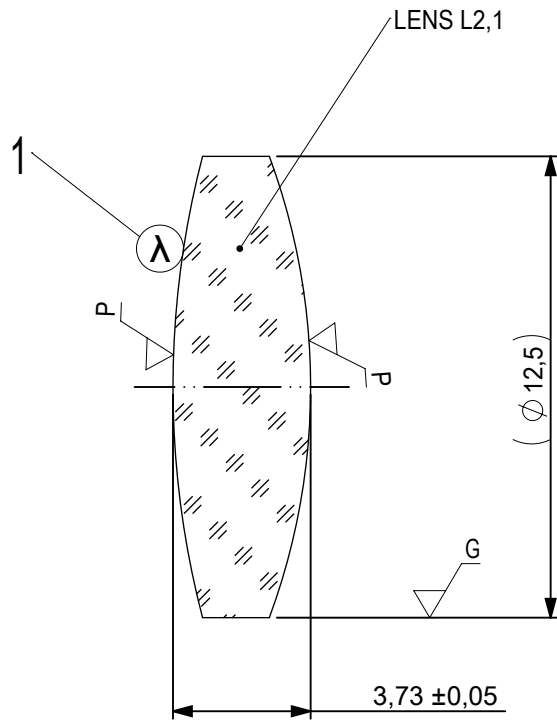


FOCAL LENGTH (EFL): $40 \pm 0,4$
 BACK FOCAL LENGTH (BFL): 37,54

SURFACE A	SURFACE B	SURFACE C
$\phi_e 11,5$	$\phi_e 11,5$	$\phi_e 11,5$
CEMENT: NOA 61 OR EQUIVALENT		

PROTECTIVE CHAMFERS AS NEEDED		FIRST ANGLE PROJECTION			
ROHS: COMPLIANT	SCALE: NONE $\lambda = 587,6\text{nm}$				
SPECIFICATIONS SUBJECT TO CHANGE WITHOUT NOTICE. DIMENSIONS ARE FOR REFERENCE ONLY			TITLE	12,5mm Dia, x 40mm FL, MgF2 Coated, Achromatic Doublet Lens	
FOR INFORMATION ONLY: DO NOT MANUFACTURE PARTS TO THIS DRAWING			ALL DIMS IN: mm	DWG NO	32315
INDICATIONS IN ACCORDANCE WITH ISO 10110					SHEET 1 OF 3

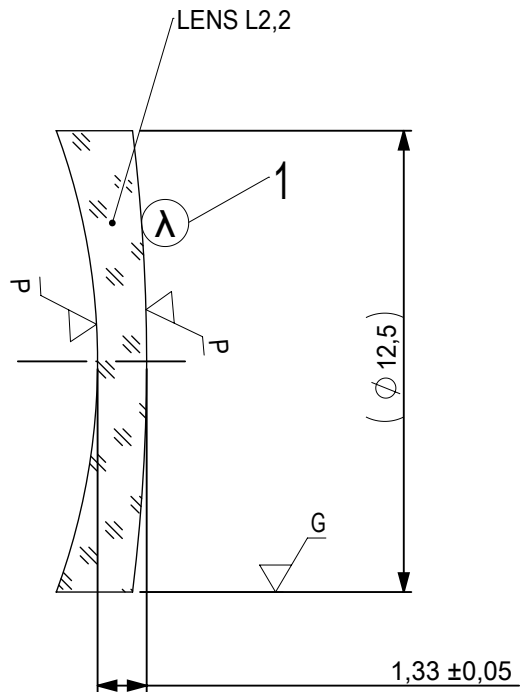


1 AR COATING:

¼ WAVE MgF2 @ 550nm
 R(AVG) < 1,75% FROM 400-700nm (N-BK7)

LEFT SURFACE	MATERIAL	RIGHT SURFACE
R 24,77±0,025 CX Øe 11,5 3/ 3 (0,5) λ=632,8 nm 4/ - 5/ 40 - 20 (MIL-PRF-13830B) 6/ -	GLASS N-BK7 517/642	R 18,01±0,018 CX Øe 11,5 3/ 3 (0,5) λ=632,8 nm 4/ - 5/ 40 - 20 (MIL-PRF-13830B) 6/ -

PROTECTIVE CHAMFERS AS NEEDED		FIRST ANGLE PROJECTION			
ROHS: COMPLIANT	SCALE: NONE λ = 587,6nm				
SPECIFICATIONS SUBJECT TO CHANGE WITHOUT NOTICE. DIMENSIONS ARE FOR REFERENCE ONLY			TITLE	12,5mm Dia, x 40mm FL, MgF2 Coated, Achromatic Doublet Lens	
FOR INFORMATION ONLY: DO NOT MANUFACTURE PARTS TO THIS DRAWING			ALL DIMS IN: mm	DWG NO	32315
INDICATIONS IN ACCORDANCE WITH ISO 10110					SHEET 2 OF 3



1 AR COATING:

1/4 WAVE MgF2 @ 550nm
 R(AVG) < 1,75% FROM 400-700nm (N-BK7)

LEFT SURFACE	MATERIAL	RIGHT SURFACE
R 18,01±0,018 CV Øe 11,5 3/ 3 (0,5) λ=632,8 nm 4/ - 5/ 40 - 20 (MIL-PRF-13830B) 6/ -	GLASS N-SF5 673/322	R 51,17±0,051 CX Øe 11,5 3/ 3 (0,5) λ=632,8 nm 4/ - 5/ 40 - 20 (MIL-PRF-13830B) 6/ -

PROTECTIVE CHAMFERS AS NEEDED

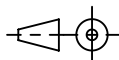
ROHS: COMPLIANT SCALE: NONE λ = 587,6nm

SPECIFICATIONS SUBJECT TO CHANGE WITHOUT NOTICE. DIMENSIONS ARE FOR REFERENCE ONLY

FOR INFORMATION ONLY: DO NOT MANUFACTURE PARTS TO THIS DRAWING

INDICATIONS IN ACCORDANCE WITH ISO 10110

FIRST ANGLE PROJECTION



ALL DIMS IN: mm

EO® Edmund Optics®

TITLE 12,5mm Dia, x 40mm FL, MgF2 Coated, Achromatic Doublet Lens

DWG NO 32315

SHEET SIZE A4 SHEET 3 OF 3