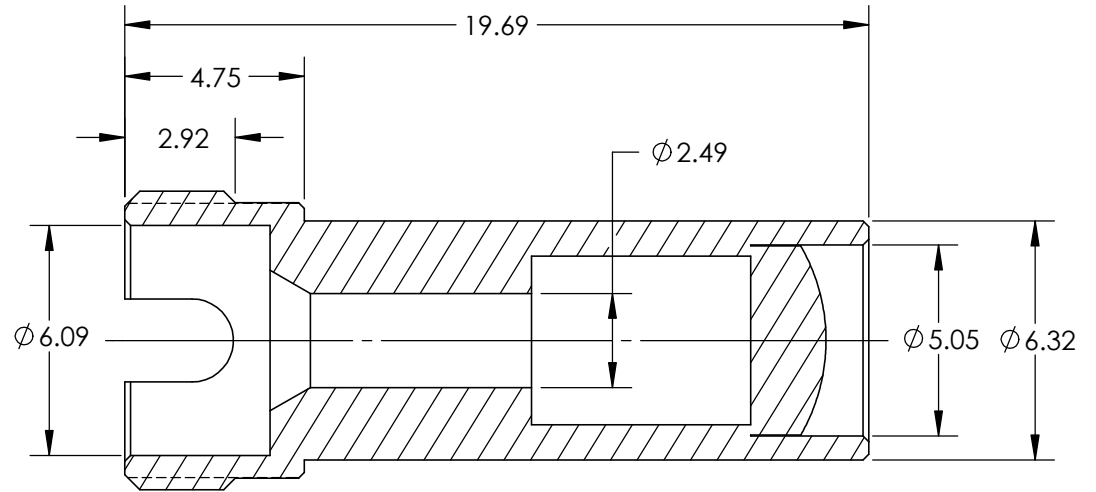
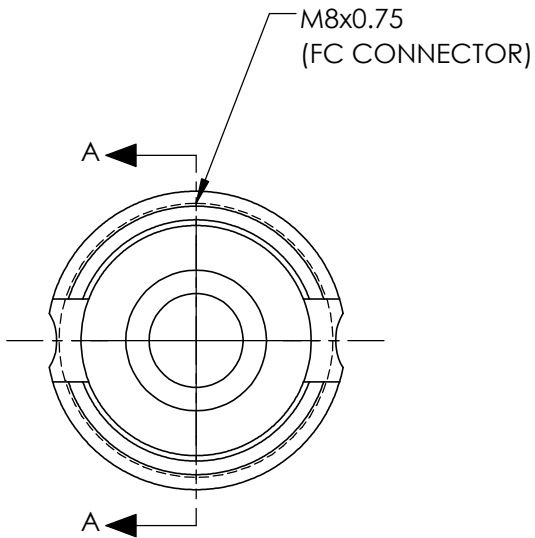


NOTES:

1. MATERIAL: STAINLESS STEEL
2. RoHS: COMPLIANT

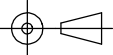


SECTION A-A

SPECIFICATIONS SUBJECT TO CHANGE WITHOUT NOTICE
DIMENSIONS ARE FOR REFERENCE ONLY

**FOR INFORMATION ONLY:
DO NOT MANUFACTURE
PARTS TO THIS DRAWING**

EO® Edmund Optics®

THIRD ANGLE PROJECTION 		TITLE	4mm APERTURE UV/VIS FIBER OPTIC COLLIMATOR, FC	
ALL DIMS IN	mm	DWG NO	88189	SHEET 1 OF 1