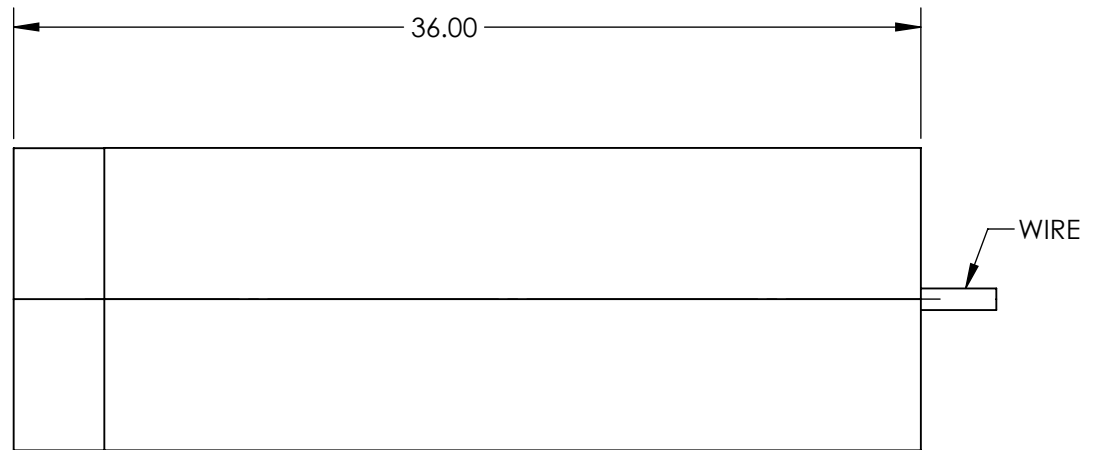
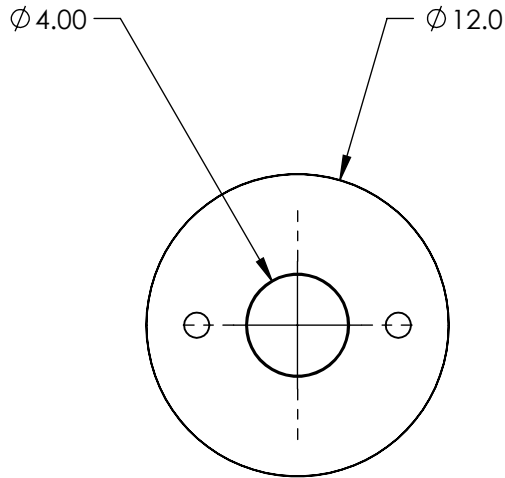
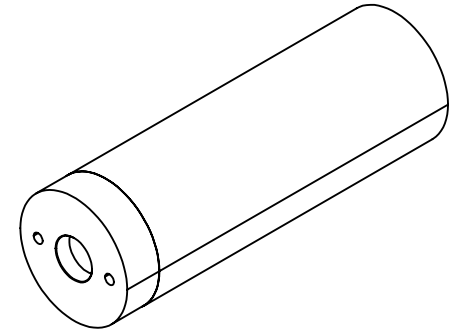


NOTES:

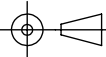
1. LASER CLASS:
IIIa
2. BEAM DIAMETER(mm): 3 x 1 Typical
BEAM DIVERGENCE: Major Axis: 0.6 Minor Axis: 0.2 mrad
3. MODULATION FREQUENCY: 0 - 10 kHz
4. OPERATING TEMPERATURE: -10 to 50 °C
OPERATING VOLTAGE: 5 V
5. OUTPUT POWER: 1 mW
6. WAVELENGTH RANGE: 635 ±5 nm



SPECIFICATIONS SUBJECT TO CHANGE WITHOUT NOTICE
DIMENSIONS ARE FOR REFERENCE ONLY

**FOR INFORMATION ONLY:
DO NOT MANUFACTURE
PARTS TO THIS DRAWING**

EO® Edmund Optics®

| | | | | |
|--|----|--------|----------------------------------|-----------------|
| THIRD ANGLE PROJECTION  | | TITLE | 1mW, 635nm Alignment Laser Diode | |
| ALL DIMS IN | mm | DWG NO | 37029 | SHEET 1 OF 1 |