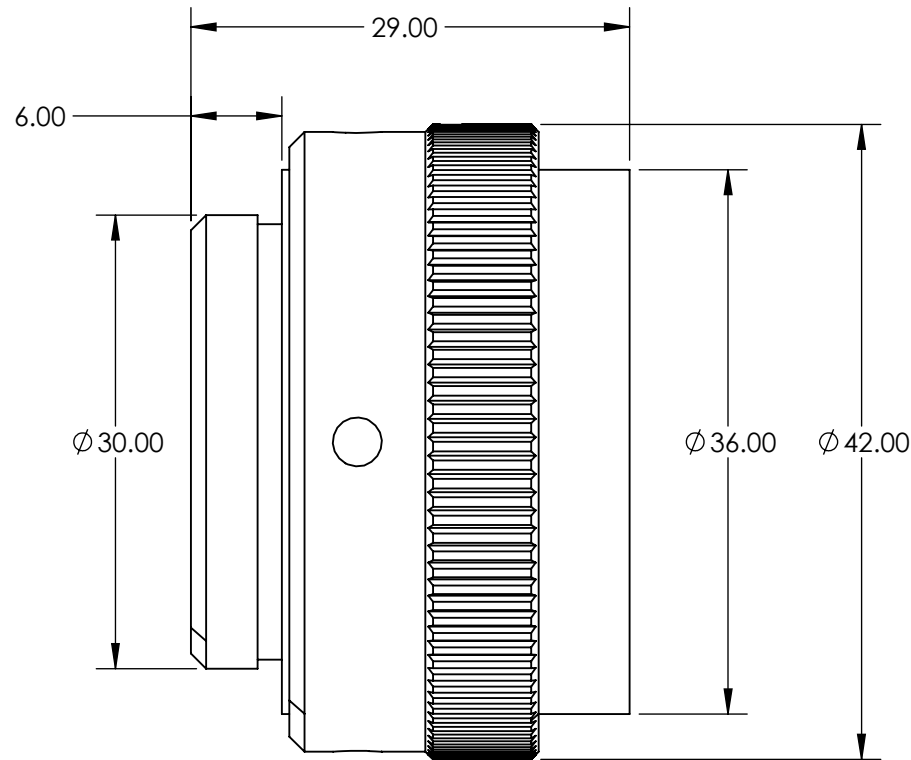


NOTES:

- 1. RoHS: COMPLIANT



**FOR INFORMATION ONLY:  
DO NOT MANUFACTURE  
PARTS TO THIS DRAWING**

SPECIFICATIONS SUBJECT TO CHANGE WITHOUT NOTICE  
DIMENSIONS ARE FOR REFERENCE ONLY



	VALUE			TITLE		
DESIGN WAVELENGTH (nm)	1064	THIRD ANGLE PROJECTION		1064nm, 3-5mm Dia. Input Beam, Focal Flat Top Beam Shaper   Focal πShaper_1064_Q-4		
INPUT DIAMETER, 1/e <sup>2</sup> (mm)	3 - 5					
WAVELENGTH RANGE (nm)	1020 - 1100					
		ALL DIMS IN	mm	DWG NO	12230	SHEET 1 OF 1