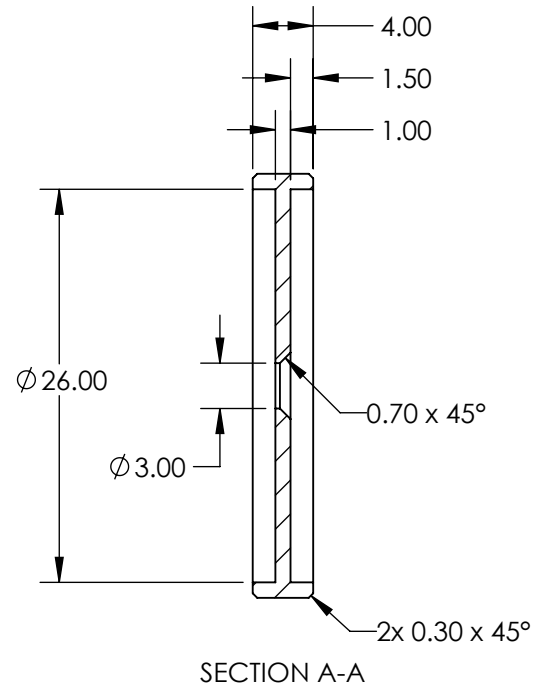
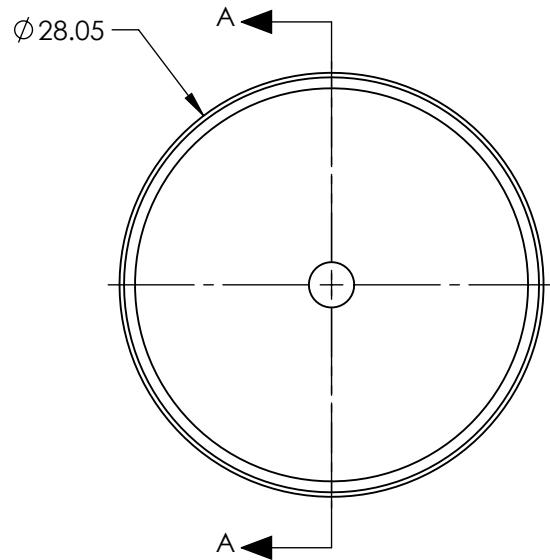
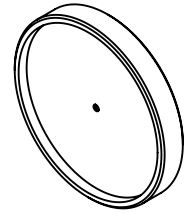


NOTES:

1. MATERIAL: BLACK MATTE ANODIZED ALUMINUM
2. RoHS: COMPLIANT



SPECIFICATIONS SUBJECT TO CHANGE WITHOUT NOTICE
DIMENSIONS ARE FOR REFERENCE ONLY

**FOR INFORMATION ONLY:
DO NOT MANUFACTURE
PARTS TO THIS DRAWING**

EO® **Edmund Optics**®

THIRD ANGLE PROJECTION 	TITLE	T32 INNER APERTURE 3mm		
	ALL DIMS IN	mm	DWG NO	11182