

NOTES:

1. SUBSTRATE:
II-VI Infrared ZnSe
2. CENTERING TOLERANCE:
EDGE THICKNESS VARIATION MEASURED AT THE CLEAR APERTURE OF S1 NOT TO EXCEED 12.7µm
3. COATING (APPLY ACROSS COATING APERTURE):
S1 & S2: BBAR (8000-12000nm)
R(AVG) < 0.5% @ 8 - 12µm

4. FINE GRIND SURFACE

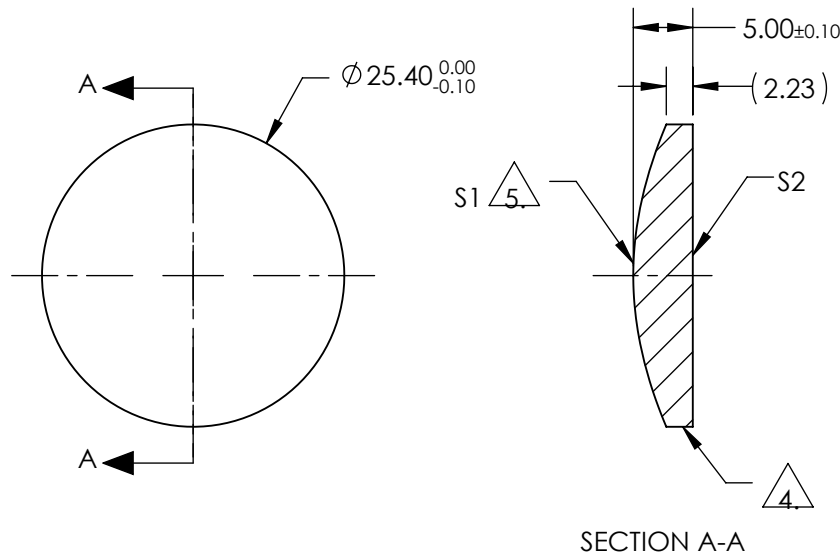
5. ASPHERIC SURFACE DESCRIBED BY THE FOLLOWING EQUATION AND COEFFICIENTS SHOWN IN TABLE BELOW

$$Z_{ASPH}(Y) = \frac{(\frac{1}{RADIUS}) * Y^2}{1 + \sqrt{1 - (1+k) * (\frac{1}{RADIUS})^2 * Y^2}} + D * Y^2 + E * Y^4 + F * Y^6 + G * Y^8 + H * Y^{10} + J * Y^{12} + L * Y^{14}$$

6. SURFACE ROUGHNESS: 50 Å

**FOR INFORMATION ONLY:
DO NOT MANUFACTURE
PARTS TO THIS DRAWING**

SPECIFICATIONS SUBJECT TO CHANGE
WITHOUT NOTICE
DIMENSIONS ARE FOR REFERENCE ONLY



COEFFICIENT TABLE 5.	
COEFFICIENT	S1
SEMI-DIAMETER	1.270000E+01
(1/RADIUS)	3.563792E-02
k	-1.005142E+00
D	0.000000E+00
E	-3.649670E-06
F	-1.122004E-09
G	0.000000E+00
H	0.000000E+00
J	0.000000E+00
L	0.000000E+00

	S1	S2
SHAPE	CONVEX	PLANO
RADIUS	28.060	INFINITY
SURFACE QUALITY	40-20	40-20
CLEAR APERTURE	Ø22.86	Ø22.86
POWER at 632.8nm	2.0 RINGS	2.0 RINGS
IRREGULARITY at 632.8nm	1.0 RING	1.0 RING
BEVEL	PROTECTIVE AS NEEDED	PROTECTIVE AS NEEDED

EFL (AT 10.6µm)	(20.00)
BFL (AT 10.6µm)	(17.92)
THIRD ANGLE PROJECTION	
ALL DIMS IN	mm

EO® **Edmund Optics**®

TITLE: 25.4mm Dia. x 20.0mm FL 8-12µm AR Coated, Zinc Selenide Aspheric Lens

DWG NO	39515	SHEET 1 OF 1
--------	-------	--------------