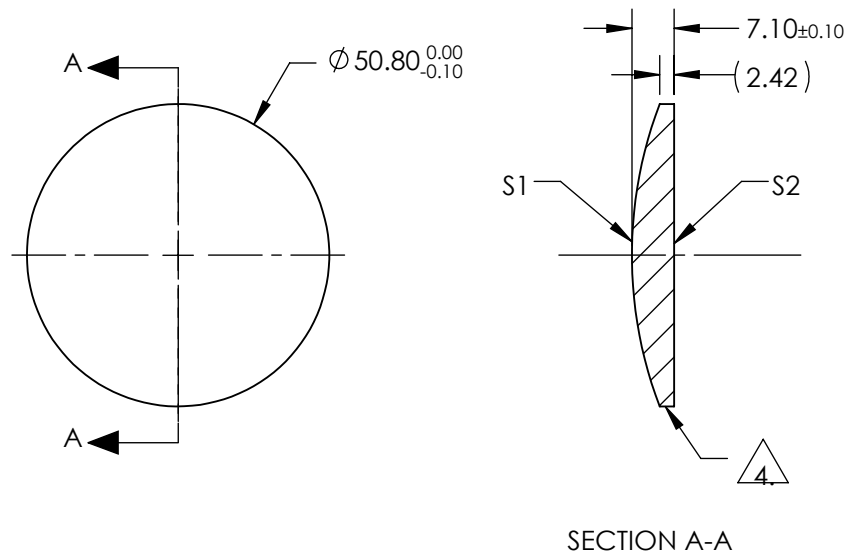



NOTES:

1. SUBSTRATE:
II-VI Infrared ZnSe
2. CENTERING TOLERANCE:
EDGE THICKNESS VARIATION MEASURED AT THE CLEAR APERTURE OF S1
NOT TO EXCEED 12.7µm
3. COATING (APPLY ACROSS COATING APERTURE)
BBAR (8000-12000nm)
S1 & S2: R(AVG) <0.5% @ 8 - 12µm
4. FINE GROUND SURFACE
5. POWER, IRREGULARITY, AND SURFACE QUALITY SPECIFICATIONS APPLY
ACROSS CLEAR APERTURE
6. WAVELENGTH RANGE: 3000 - 12000nm
7. SURFACE ROUGHNESS: <50 Å
8. ROHS: COMPLIANT

**FOR INFORMATION ONLY:
DO NOT MANUFACTURE
PARTS TO THIS DRAWING**



SPECIFICATIONS SUBJECT TO CHANGE WITHOUT NOTICE
DIMENSIONS ARE FOR REFERENCE ONLY

	S1	S2			 Edmund Optics®		
SHAPE	CONVEX	PLANO					
RADIUS	71.260	INFINITY	EFL (AT 10.6 microns)	50.80	TITLE 50.8mm Dia. x 50.8mm FL, 8-12µm BBAR Coated, ZnSe Plano-Convex Lens		
SURFACE QUALITY	40-20	40-20	BFL (AT 10.6 microns)	47.85			DWG NO 11408
CLEAR APERTURE	90%	90%			SHEET 1 OF 1		
POWER at 10.6µm	λ/10	λ/10					
IRREGULARITY at 10.6µm	λ/20	λ/20					
BEVEL	PROTECTIVE AS NEEDED	PROTECTIVE AS NEEDED	ALL DIMS IN	mm			