

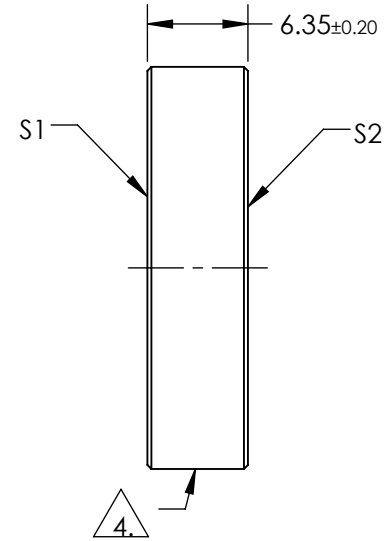
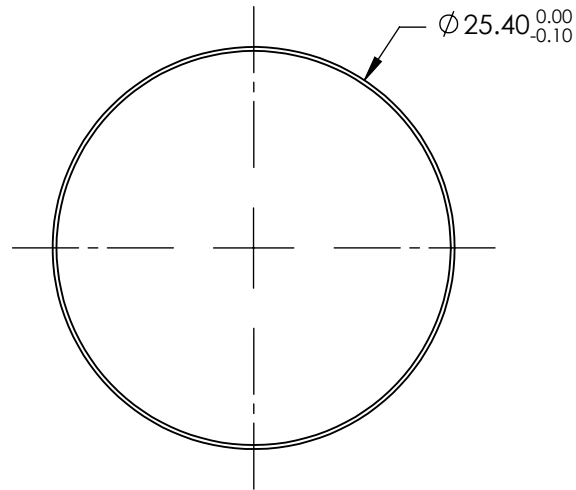
NOTES:

1. SUBSTRATE:
FUSED SILICA
2. S2 TO BE PARALLEL TO S1 TO WITHIN <3 ARCMINS
3. COATING (APPLY ACROSS COATING APERTURE)
S1 & S2: R(ABS) < 0.25% @ 343nm @ 0° AOI

DAMAGE THRESHOLD
PULSED: 7.5J/cm² @ 20ns, 20Hz @ 343nm

4. FINE GROUND SURFACE

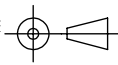
5. CLEAR APERTURE AND COATING APERTURE ARE CENTERED ON SURFACE
6. SURFACE QUALITY SPECIFICATIONS APPLY ACROSS CLEAR APERTURE
7. ROHS COMPLIANT



**FOR INFORMATION ONLY:
DO NOT MANUFACTURE
PARTS TO THIS DRAWING**

SPECIFICATIONS SUBJECT TO CHANGE WITHOUT NOTICE
DIMENSIONS ARE FOR REFERENCE ONLY

	S1	S2
SHAPE	PLANO	PLANO
SURFACE QUALITY	10-5	10-5
SURFACE FLATNESS	$\lambda/10$	$\lambda/10$
MIN CLEAR APERTURE	$\varnothing 22.86$	$\varnothing 22.86$
BEVEL	PROTECTIVE AS NEEDED	PROTECTIVE AS NEEDED

THIRD ANGLE PROJECTION 

ALL DIMS IN mm

EO® **Edmund Optics**®

TITLE	$\varnothing 25.4\text{mm} \times 6.35\text{mm}$ 343nm FS LASER WINDOW	
DWG NO	39671	SHEET 1 OF 1