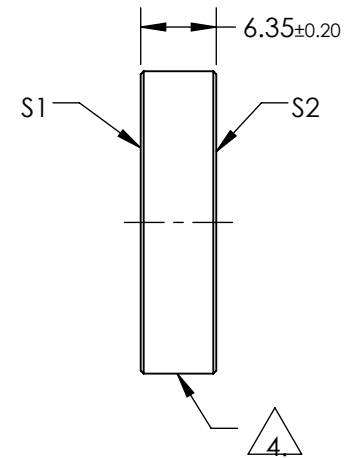
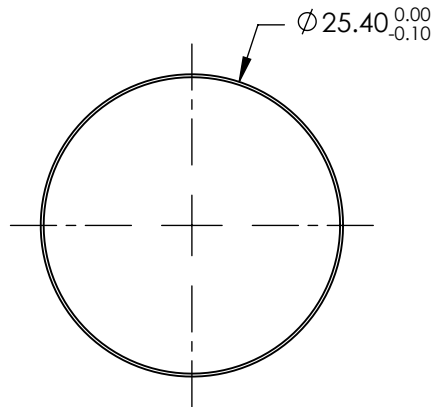


NOTES:

1. SUBSTRATE:  
FUSED SILICA
2. S2 TO BE PARALLEL TO S1 TO WITHIN <3ARCMIN
3. COATING (APPLY ACROSS COATING APERTURE)  
S1: EN AL  
R(AVG) >95% from 450-650nm

S2: NONE

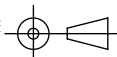
4. FINE GROUND SURFACE
5. CLEAR APERTURE AND COATING APERTURE ARE CENTERED ON SURFACE
6. SURFACE QUALITY SPECIFICATIONS APPLY ACROSS CLEAR APERTURE
7. ROHS: COMPLIANT




**FOR INFORMATION ONLY:  
DO NOT MANUFACTURE  
PARTS TO THIS DRAWING**

SPECIFICATIONS SUBJECT TO CHANGE WITHOUT NOTICE  
DIMENSIONS ARE FOR REFERENCE ONLY

	S1	S2
SHAPE	PLANO	PLANO
SURFACE QUALITY	20-10	COMMERCIAL POLISH
SURFACE FLATNESS	0.10 WAVE	N/A
CLEAR APERTURE	Ø22.86	N/A
COATING APERTURE	Ø24.40	N/A
BEVEL	PROTECTIVE AS NEEDED	PROTECTIVE AS NEEDED

THIRD ANGLE PROJECTION 

ALL DIMS IN mm

 **Edmund Optics®**

TITLE: MIRROR FS 1/10 WAVE EN AL 25.4 DIA

DWG NO: 39210

SHEET 1 OF 1