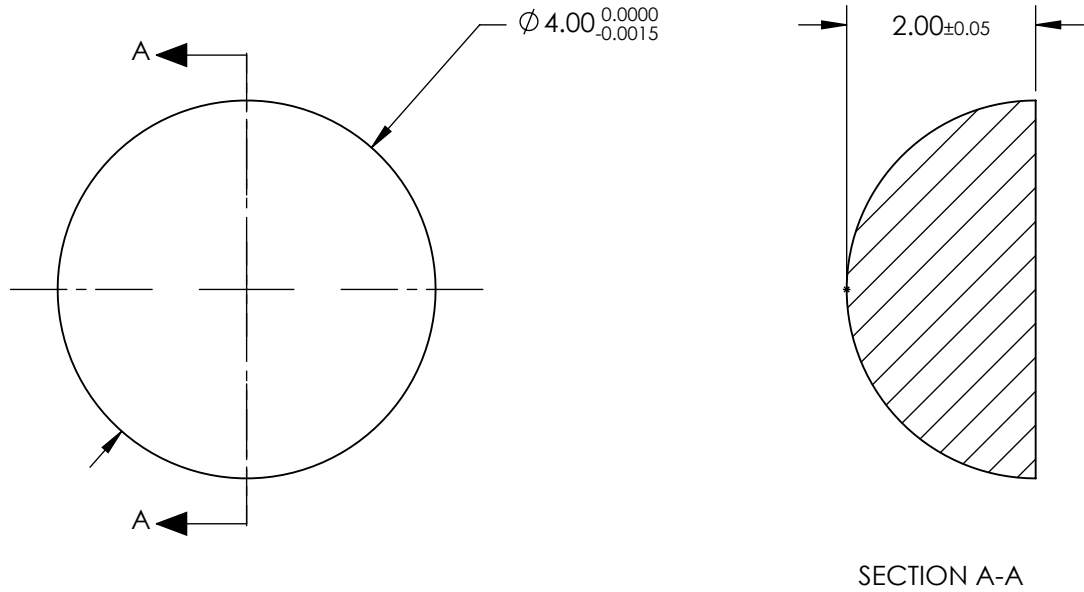


NOTES:

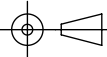
1. SUBSTRATE MATERIAL:
S-LAH79
2. COATING - NONE
3. FINISH: POLISHED
4. RoHS COMPLIANT



**FOR INFORMATION ONLY:
DO NOT MANUFACTURE
PARTS TO THIS DRAWING**

SPECIFICATIONS SUBJECT TO CHANGE WITHOUT NOTICE
DIMENSIONS ARE FOR REFERENCE ONLY

EO® Edmund Optics®

THIRD ANGLE PROJECTION 		TITLE	4.0mm DIAMETER, S-LAH79 HALF-BALL LENS	
ALL DIMS IN	mm	DWG NO	90859	SHEET 1 OF 1