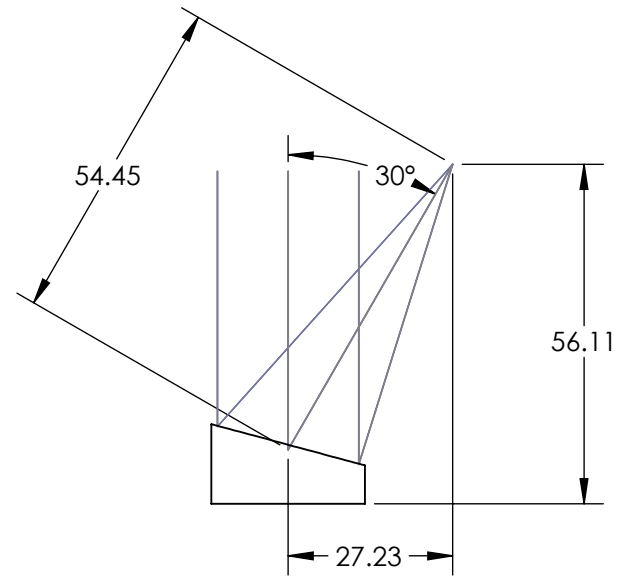
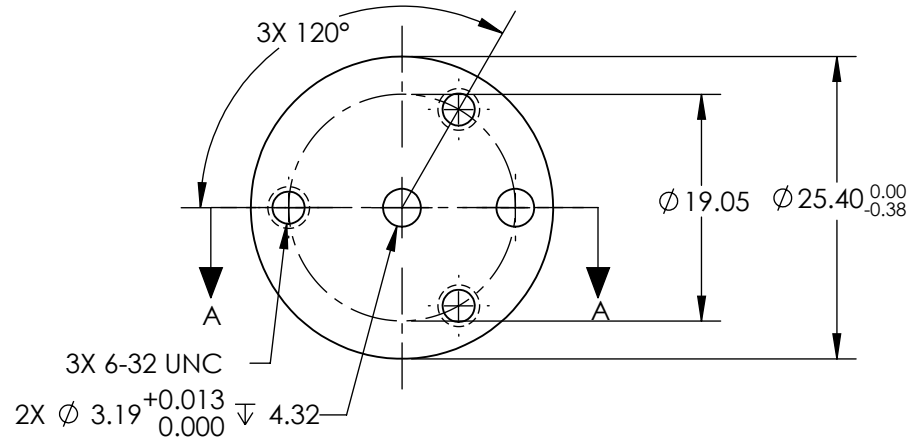
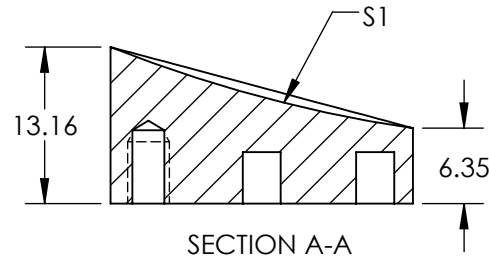


NOTES:

1. SUBSTRATE MATERIAL:  
ALUMINUM
2. FINISH (EXCEPT SURFACE S1):  
BLACK ANODIZED
3. COATING (APPLY ACROSS CLEAR APERTURE)  
S1: PROTECTED ALUMINUM  
R(AVG) >85% from 0.4-0.7 $\mu$ m  
R(AVG) >97% from 2 - 12 $\mu$ m  
  
SURFACE ROUGHNESS: <100 Å RMS
4. FOCAL LENGTH TOLERANCE:  $\pm$ 1%
5. ROHS COMPLIANT

FOR INFORMATION ONLY:  
DO NOT MANUFACTURE  
PARTS TO THIS DRAWING



SPECIFICATIONS SUBJECT TO CHANGE WITHOUT NOTICE  
DIMENSIONS ARE FOR REFERENCE ONLY

REV. A	S1	EFL	54.45		<b>Edmund Optics®</b>
SHAPE	PARABOLIC	PFL	50.80		
REFLECTIVE WAVEFRONT DISTORTION AT 632.8nm (RMS)	$\lambda/2$	THIRD ANGLE PROJECTION	TITLE	Ø25.4 X 54.45mm EFL 30° OAP PROTECTED ALUMINUM MIRROR 100Å	
SURFACE FIGURE AT 632.8nm (RMS)	$\lambda/4$				
CLEAR APERTURE	90%	ALL DIMS IN	mm	DWG NO	35490
BEVEL	PROTECTIVE AS NEEDED				SHEET 1 OF 1