

NOTES:

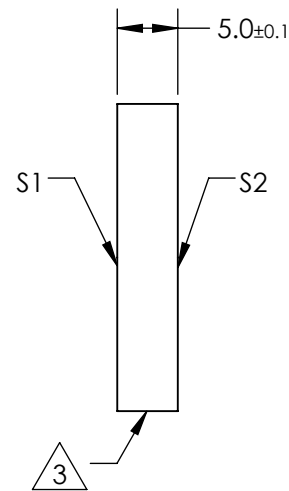
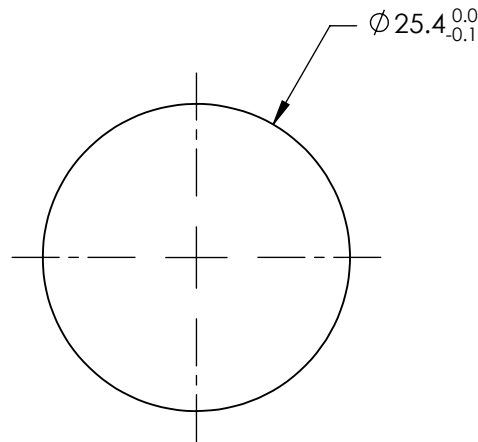
1. SUBSTRATE MATERIAL:  
Fused Silica

2. COATING (APPLY ACROSS CLEAR APERTURE)

S1: Dielectric  
REFLECTIVITY (Rs%, Rp%): >99.8  
REFLECTIVITY (Rp%): 99.995  
REFLECTIVITY (Rs%): 99.995  
DAMAGE THRESHOLD (PULSED): >12 J/cm<sup>2</sup> @ 1064nm, 10ns  
DURABILITY: MIL-C-675A  
S2: NONE

 FINE GROUND SURFACE

4. RoHS COMPLIANT



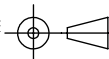
**FOR INFORMATION ONLY:  
DO NOT MANUFACTURE  
PARTS TO THIS DRAWING**

SPECIFICATIONS SUBJECT TO CHANGE WITHOUT NOTICE  
DIMENSIONS ARE FOR REFERENCE ONLY

	S1	S2
SHAPE	PLANO	PLANO
CLEAR APERTURE (%)	>90	N/A
SURFACE QUALITY	20-10	COMMERCIAL POLISH
SURFACE FLATNESS	$\lambda/8$	N/A
WAVELENGTH RANGE (nm)	1030 - 1064	N/A
BEVEL	PROTECTIVE AS NEEDED	PROTECTIVE AS NEEDED

 **Edmund Optics®**

THIRD ANGLE  
PROJECTION



ALL DIMS IN

mm

TITLE

1064nm, 0° 25.4mm Dia. Nd:YAG IBS Low  
Loss Laser Line Mirror

DWG NO

89452

SHEET  
1 OF 1