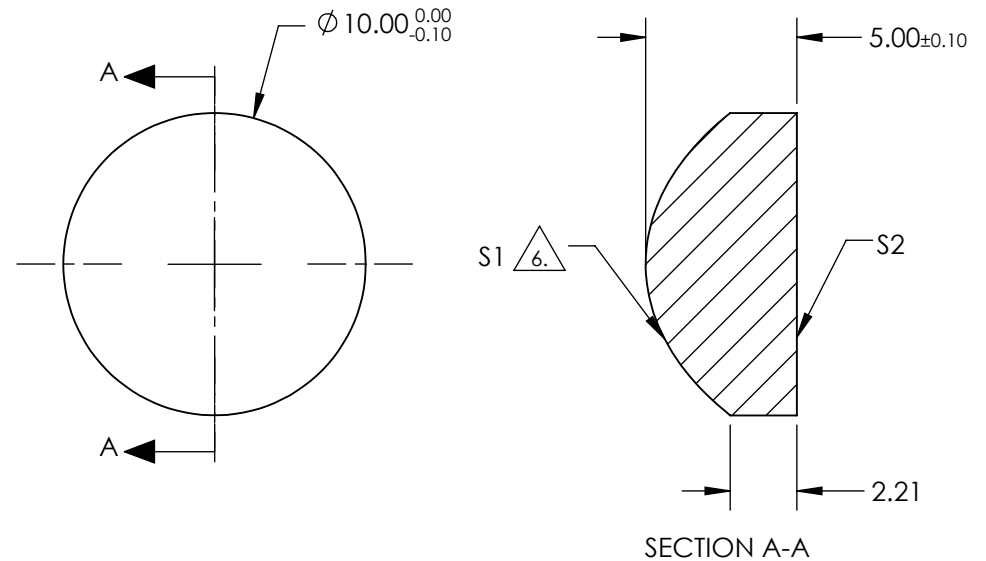


NOTES:

1. SUBSTRATE: N-SF5
2. COATING
S1: NONE
S2: NONE
3. EDGES: FINE GROUND
4. CENTERING: 3-5 ARCMIN
5. ASPHERE FIGURE ERROR: 0.75 μm RMS

6. ASPHERIC SURFACE DESCRIBED BY (REF. COEFFICIENT TABLE)

$$Z_{ASPH}(Y) = \frac{(\frac{1}{RADIUS}) * Y^2}{1 + \sqrt{1 - (1+k) * (\frac{1}{RADIUS})^2 * Y^2}} + D * Y^2 + E * Y^4 + F * Y^6 + G * Y^8 + H * Y^{10} + J * Y^{12} + L * Y^{14}$$



COEFFICIENT TABLE 6.	
COEFFICIENT	S1
SEMI-DIAMETER	5.000000E+00
(1/RADIUS)	1.982161E-01
k	-1.055033E+00
D	0.000000E+00
E	5.096600E-04
F	2.254951E-06
G	8.064402E-09
H	-9.079062E-10
J	0.000000E+00
L	0.000000E+00

**FOR INFORMATION ONLY:
DO NOT MANUFACTURE
PARTS TO THIS DRAWING**

SPECIFICATIONS SUBJECT TO CHANGE WITHOUT NOTICE DIMENSIONS ARE FOR REFERENCE ONLY

REV. A	S1	S2	EFL @587.6 : 7.5			
SHAPE	CONVEX	CONVEX	BFL @587.6 : 4.51			
RADIUS	5.045	INFINITY	THIRD ANGLE PROJECTION	TITLE	10mm DIA, 0.67 NUMERICAL APERTURE UNCOATED, ASPHERIC LENS	
SURFACE QUALITY	60-40	60-40	ALL DIMS IN	mm	DWG NO	69852
CLEAR APERTURE	90%	90%				SHEET 1 OF 1
BEVEL MAX	PROTECTIVE AS NEEDED	PROTECTIVE AS NEEDED				