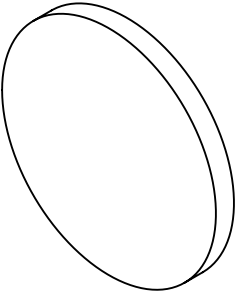


NOTES:

**FOR INFORMATION ONLY:  
DO NOT MANUFACTURE  
PARTS TO THIS DRAWING**



1. SUBSTRATE: N-BK7
2. COATING (APPLY ACROSS CLEAR APERTURE)

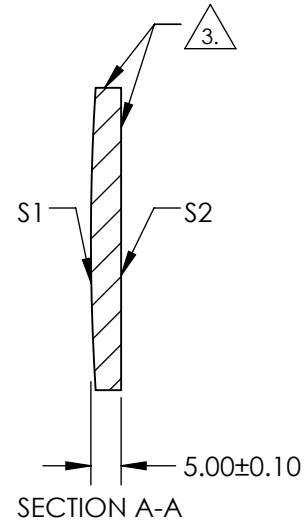
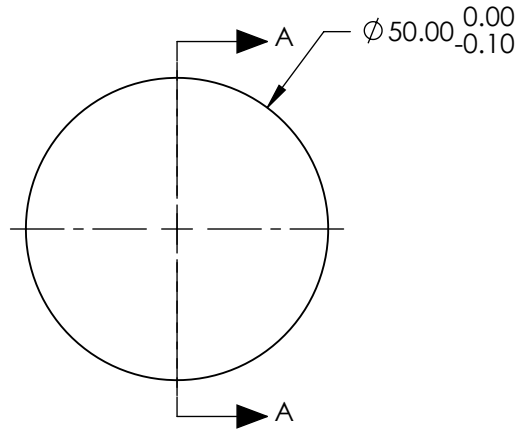
S1: ALUMINUM WITH MULTILAYER OVERCOAT  
R(AVG) > 95% FROM 450-650nm @ 0° AOI

S2: NONE

 FINE GRIND SURFACE

4. POWER, IRREGULARITY, AND SURFACE QUALITY SPECIFICATIONS  
APPLY ACROSS CLEAR APERTURE

5. ROHS COMPLIANT



SPECIFICATIONS SUBJECT TO CHANGE WITHOUT NOTICE  
DIMENSIONS ARE FOR REFERENCE ONLY

	S1	S2
SHAPE	CONVEX	PLANO
RADIUS	400mm	N/A
SURFACE QUALITY	60-40	N/A
FOCAL LENGTH TOLERANCE	±2%	N/A
BEVEL	PROTECTIVE AS NEEDED	PROTECTIVE AS NEEDED

THIRD ANGLE PROJECTION 

ALL DIMS IN mm

 **Edmund Optics®**

TITLE

Ø50mm, -200mm FL ENHANCED ALIUMINUM,  
CONVEX MIRROR

DWG NO

87675

SHEET  
1 OF 1