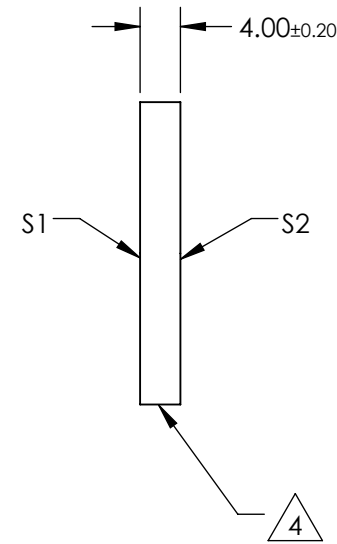
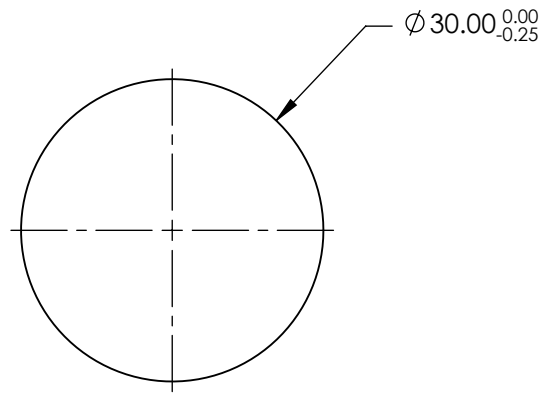
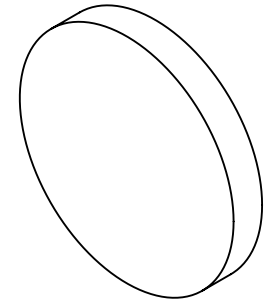


NOTES:

1. SUBSTRATE:
N-BK7
2. S2 TO BE PARALLEL WITH S1 TO <1 arcmin
3. COATING (APPLY ACROSS CLEAR APERTURE)
S1 & S2: RABS <0.25% @ 1064nm

△ 4. FINE GRIND SURFACE

5. RoHS COMPLIANT



**FOR INFORMATION ONLY:
DO NOT MANUFACTURE
PARTS TO THIS DRAWING**

SPECIFICATIONS SUBJECT TO CHANGE WITHOUT NOTICE
DIMENSIONS ARE FOR REFERENCE ONLY

EO® Edmund Optics®

| | | | | | | | |
|-----------------|----------------------|----------------------|------------------------|----|--------|--|--------------|
| | S1 | S2 | THIRD ANGLE PROJECTION | | TITLE | 30mm DIAMETER, 1064nm V-COAT, λ/4 N-BK7 WINDOW | |
| SHAPE | PLANO | PLANO | ALL DIMS IN | mm | DWG NO | 49152 | SHEET 1 OF 1 |
| SURFACE QUALITY | 60-40 | 60-40 | | | | | |
| BEVEL | PROTECTIVE AS NEEDED | PROTECTIVE AS NEEDED | | | | | |