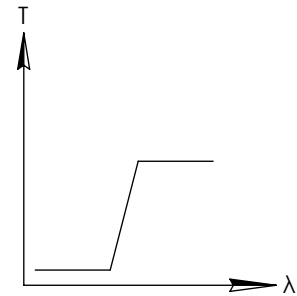
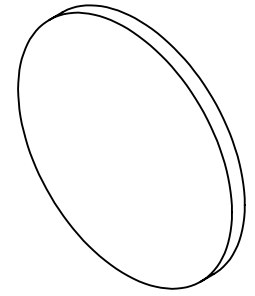
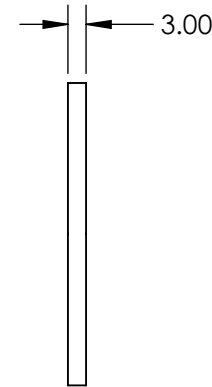
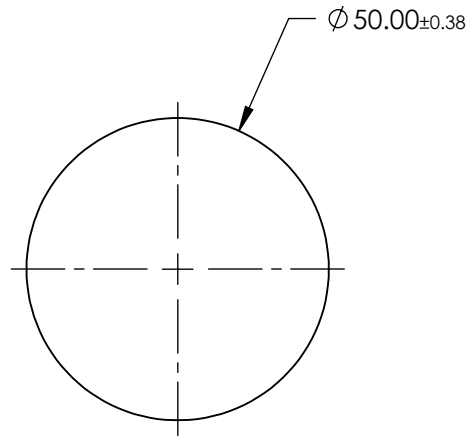


**FOR INFORMATION ONLY:
DO NOT MANUFACTURE
PARTS TO THIS DRAWING**



LONGPASS FILTER

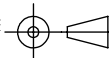


SPECIFICATIONS SUBJECT TO CHANGE WITHOUT NOTICE
DIMENSIONS ARE FOR REFERENCE ONLY

| REV. A | VALUE |
|-----------------------------------|----------------------|
| SHAPE | PLANO |
| SPECTRAL TRANSMITTANCE $t_p(\%)$ | 93 |
| PASSBAND LIMIT λ_p1 (nm) | 620 |
| CUT-OFF POSITION λ_c (nm) | 550±6 |
| STOPBAND LIMIT λ_s (nm) | 480 |
| WAVELENGTH | VIS |
| BEVEL | PROTECTIVE AS NEEDED |



THIRD ANGLE
PROJECTION



| | |
|-----------------|--------------------------------------|
| TITLE | Ø50mm, SCHOTT OG-550 LONGPASS FILTER |
| DWG NO | 66088 |
| SHEET 1 OF 1 | |

ALL DIMS IN

mm