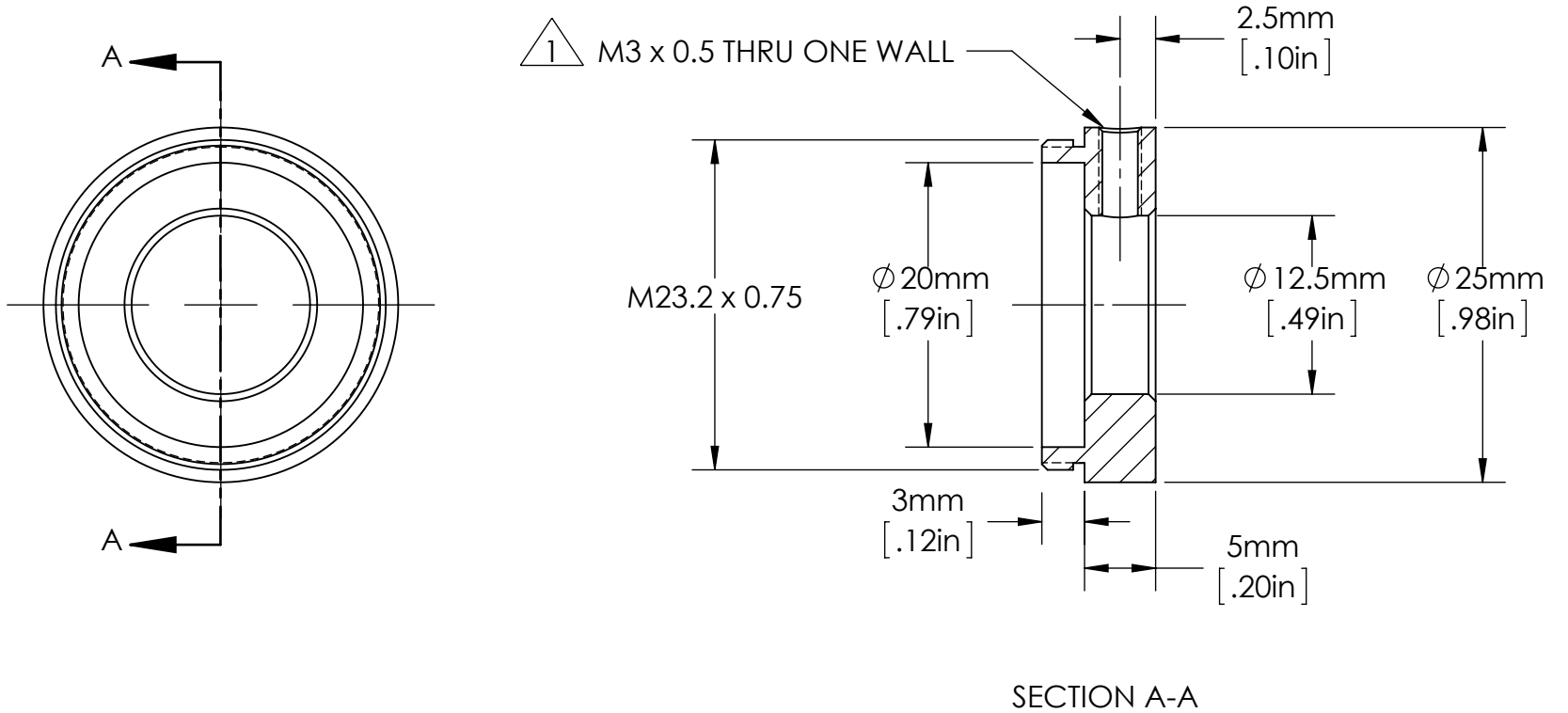


**FOR INFORMATION ONLY:  
DO NOT MANUFACTURE  
PARTS TO THIS DRAWING**

SPECIFICATIONS SUBJECT TO CHANGE WITHOUT NOTICE  
DIMENSIONS ARE FOR REFERENCE ONLY  
DIMENSIONS ARE IN mm [INCHES]



NOTES:

1. INCLUDES 1 M3 x 6mm LONG, FLAT POINT SET SCREW. ORDER ADDITIONAL PACKAGES OF 3 USING SN 86579.



|        |   |          |                         |              |         |
|--------|---|----------|-------------------------|--------------|---------|
| TITLE  | 25mm Cage Simple Optic Mount, 12.5mm Dia x 5mm Length |          |                         |              |         |
| DWG NO | 85531   | MATERIAL | BLACK ANODIZED ALUMINUM | SHEET 1 OF 1 | REV 000 |