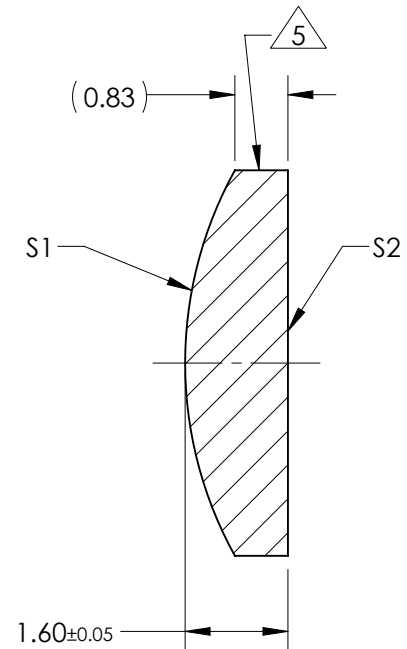
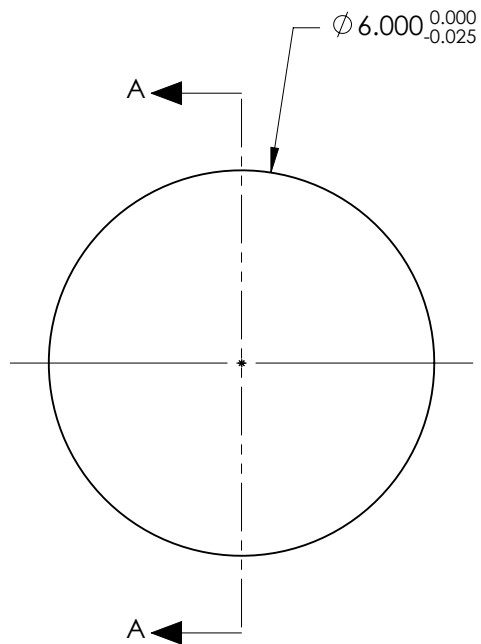


NOTES:

1. SUBSTRATE:  
GRADE A FINE ANNEALED  
SCHOTT: N-BK7 517/642
2. ROHS COMPLIANT
3. CENTERING TOLERANCE (AT 587.6nm):  
BEAM DEVIATION (HALF ANGLE): <1 ARCMIN
4. COATING (APPLY ACROSS COATING APERTURE)  
S1 & S2: 785nm V-COAT  
R(ABS) < 0.25% @ 785nm @ 0° AOI
5. FINE GRIND SURFACE
6. POWER, IRREGULARITY, AND SURFACE QUALITY SPECIFICATIONS APPLY ACROSS CLEAR APERTURE
7. FOCAL LENGTH (EFL): 12.00mm±1%  
BACK FOCAL LENGTH (BFL): 10.94mm
8. PROTECTIVE BEVEL AS NEEDED
9. DESIGN WAVELENGTH: 587.6nm



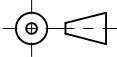
SECTION A-A

**FOR INFORMATION ONLY:  
DO NOT MANUFACTURE  
PARTS TO THIS DRAWING**

|                         | S1         | S2         |
|-------------------------|------------|------------|
| SHAPE                   | CONVEX     | PLANO      |
| RADIUS                  | 6.20       | INFINITY   |
| SURFACE QUALITY         | 40 - 20    | 40 - 20    |
| MIN CLEAR APERTURE      | ∅ 5.40     | ∅ 5.40     |
| MIN COATING APERTURE    | ∅ 5.00     | ∅ 5.00     |
| POWER AT 632.8nm        | 3.00 RINGS | 3.00 RINGS |
| IRREGULARITY AT 632.8nm | 0.50 RINGS | 0.50 RINGS |

SPECIFICATIONS SUBJECT TO CHANGE WITHOUT NOTICE  
DIMENSIONS ARE FOR REFERENCE ONLY

**EO**® Edmund Optics®

THIRD ANGLE PROJECTION 

ALL DIMS IN mm

|        |  |              |
|--------|--|--------------|
| TITLE  | 6.0mm Diameter x 12.0mm FL, 785nm V-Coat, PCX Lens |              |
| DWG NO | 65510  | SHEET 1 OF 1 |