

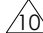
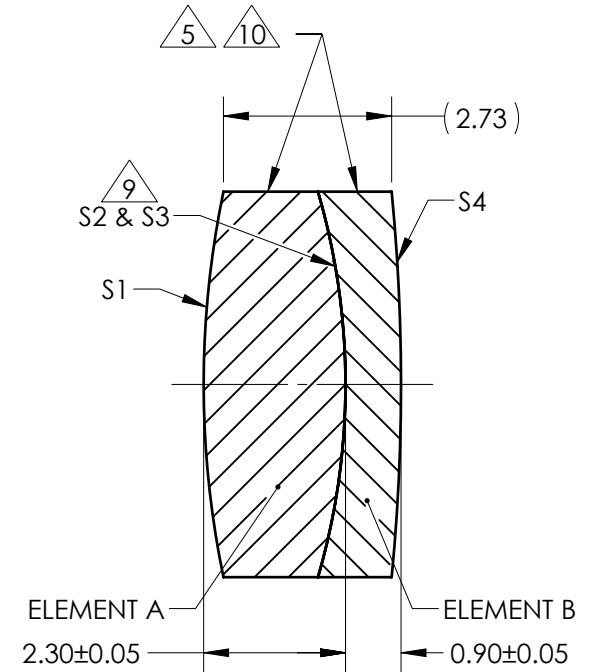
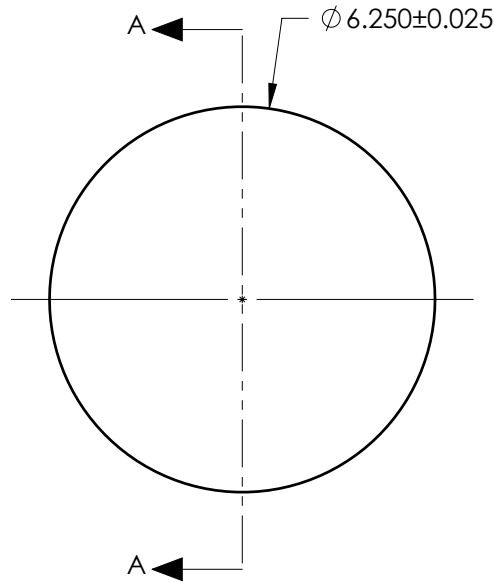


NOTES:

1. SUBSTRATE:  
ELEMENT A: N-BK7 517/642  
ELEMENT B: N-SF5 673/322
2. ROHS COMPLIANT
3. CENTERING TOLERANCE (AT 587.6nm):  
BEAM DEVIATION (HALF ANGLE): <1 ARCMIN
4. COATING (APPLY ACROSS COATING APERTURE)  
  
S1 & S4: VIS-NIR  
R(ABS) ≤ 0.25% @ 880nm @ 0° AOI  
R(AVG) ≤ 1.25% FROM 400 - 870nm @ 0° AOI  
R(AVG) ≤ 1.25% FROM 890 - 1000nm @ 0° AOI

S2 & S3: NONE

-  FINE GRIND SURFACE
- 6. POWER, IRREGULARITY, AND SURFACE QUALITY SPECIFICATIONS APPLY ACROSS CLEAR APERTURE
- 7. FOCAL LENGTH (EFL): 25.00mm±1%  
BACK FOCAL LENGTH (BFL): 23.45mm
- 8. PROTECTIVE BEVEL AS NEEDED
- 9. DESIGN WAVELENGTH: 587.6nm
-  ELEMENTS TO BE CEMENTED WITH NORLAND OPTICAL ADHESIVE NOA61
-  BLACKENED SURFACE



SECTION A-A

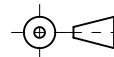
**FOR INFORMATION ONLY:  
DO NOT MANUFACTURE  
PARTS TO THIS DRAWING**

| ELEMENT TITLE           | SPECIFICATIONS AFTER CEMENTING |            |            |            |
|-------------------------|--------------------------------|------------|------------|------------|
|                         | ELEMENT A                      |            | ELEMENT B  |            |
| SURFACE                 | S1                             | S2         | S3         | S4         |
| SHAPE                   | CONVEX                         | CONVEX     | CONCAVE    | CONVEX     |
| RADIUS                  | 15.37                          | 11.16      | 11.16      | 32.17      |
| SURFACE QUALITY         | 40 - 20                        | 40 - 20    | 40 - 20    | 40 - 20    |
| MIN CLEAR APERTURE      | Ø 5.63                         | Ø 5.63     | Ø 5.63     | Ø 5.63     |
| MIN COATING APERTURE    | Ø 5.25                         | N/A        | N/A        | Ø 5.25     |
| POWER AT 632.8nm        | 3.00 RINGS                     | 3.00 RINGS | 3.00 RINGS | 3.00 RINGS |
| IRREGULARITY AT 632.8nm | 0.50 RINGS                     | 0.50 RINGS | 0.50 RINGS | 0.50 RINGS |

SPECIFICATIONS SUBJECT TO CHANGE WITHOUT NOTICE  
DIMENSIONS ARE FOR REFERENCE ONLY

 **Edmund Optics®**

THIRD ANGLE  
PROJECTION



ALL DIMS IN

mm

TITLE

6.25mm Dia. x 25mm FL, VIS-NIR, Inked,  
Achromatic Lens

DWG NO

49307INK

SHEET  
1 OF 1